

Designed to provide an interface, for associated systems and equipment, the ZP740 can be configured to accept a variety of input types. Installed anywhere on the ZP loop the unit can be set on site to interface signals from the following devices -

- Manual callpoint
- Sprinkler system
- General purpose fire device
- General purpose non fire device
- Control switch
- Security point

Switch settings are provided to select input type. Once set the ZP740 will accept the chosen input and on operation, the control panel will automatically display a message particular to that device type.

The unit can be set to accept inputs from equipment providing either normally open or normally closed outputs and can also be configured to monitor input circuit wiring for both open and short circuit faults.

Designed for first and second fix installation, the unit comprises an open backbox containing all wiring terminals, together with a front plate enclosure of high impact plastic, housing all electronics, printed circuit boards and selection switches. The two parts simply plug together prior to system completion.

A high intensity red LED indicator positioned on the front moulding illuminates when the interface has operated, providing clear identification of the input signal source. Terminals are also provided for the connection of a remote LED indicator. To further aid identification, an indent is moulded into the front enclosure for attachment of an address number label

Installed as part of the ZP3 analogue addressable system, up to 127 line devices (sensors, callpoints or interface units) can be connected to each of the control panel loops. All loop devices incorporate switch settings enabling them to be assigned a unique address, which is polled by the panel every two seconds.

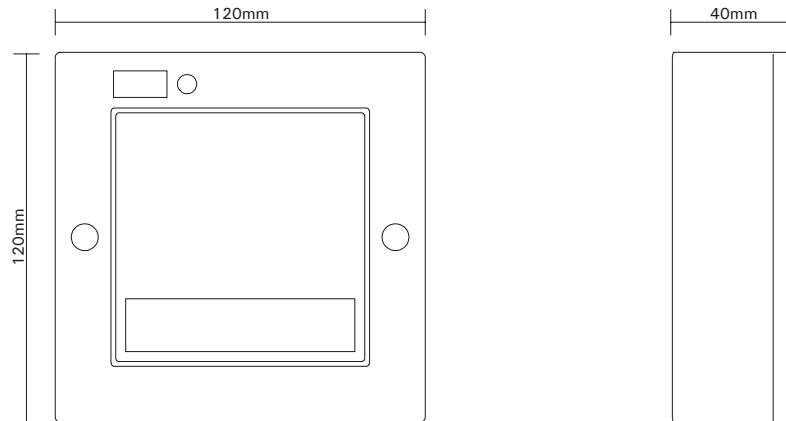


ZP740

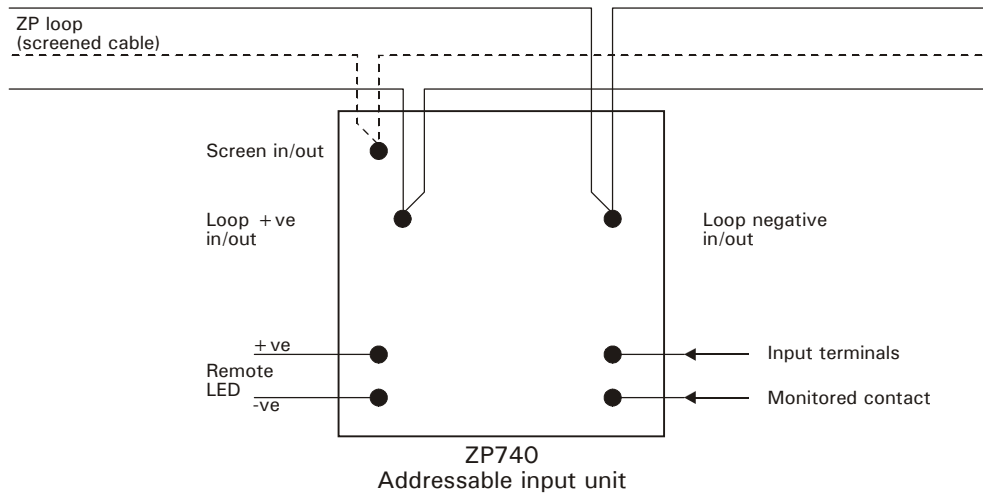
Addressable Line Interface Unit

- **Addressable input interface unit**
- **Type selectable on site**
- **Accepts normally open or normally closed input circuits**
- **Monitors input circuit wiring for open and/or short circuit faults**

Dimensions



Wiring Schematic



Specifications



Model No.	Part No.	Description	Compatibility
ZP740	107AA	Line input unit	All ZP analogue addressable systems

Mounting	Surface
Wiring	2 core loop
Monitoring:	740 on loop open and short circuit fault Monitored input open and short circuit fault
Indication	LED (RED) Illuminated on operation
Operating voltage	16-24 Vdc
Current (consumption)	500µA
Monitored input contact max	10mA at 12Vdc

Environmental:	
Application	Indoor installation
EN60529	IP42
Temp range	-10°C to +75°C
Humidity range	0% to 90% RH (non condensing)
EMC	CE marked (EEC 89/336)
Construction:	
Material	Moulded ABS
Dimensions	120mm (W) x 120mm (H) x 40mm (D)
Height	120mm
Colour	White
Weight	250g

Ziton Ltd
 8 Newmarket Court Chippenham Drive Kingston Milton Keynes MK 10 0AQ United Kingdom
 Telephone +44 (0) 1908 281981 Fax +44 (0) 1908 282554 email zitonuk@ziton.com

Ziton (Pty) Ltd
 Ziton House 555 Voortrekker Road Maitland 7405 PO Box 4965 Cape Town 8000 South Africa
 Telephone +27 (0)21 506 6000 Fax +27 (0)21 506 6100 email zitonssa@ziton.com

Copyright (c) Ziton Limited
 Ziton reserves the right to change specifications without notice in order to improve products or manufacturing methods. Although every effort is made to avoid errors, we reserve the right to correct typographical, photographic, clerical or printing errors.