

Measuring only 51mm by 55mm the ZP745 miniature addressable interface is designed for installation within the enclosures of control equipment associated with fire detection systems. The unit is installed directly onto the ZP loop wiring, carries a system address and enables signals from associated equipment to be interfaced into the fire alarm system. Input signals are fully displayed at the ZP3 control panel and can be programmed to activate any ZP system output.

By routing loop wiring to pick up interfaces located inside control equipment cabinets, signals are accepted directly onto the ZP fire alarm communications loop, greatly increasing system integrity by eliminating the need for spur wiring between associated equipment terminals and the fire alarm interface.

The interface can be installed singly, or used in groups to provide multiway inputs from equipment such as zonal outputs from conventional fire alarm systems or flow valves from sprinkler installations. Its miniature size enables multiway inputs to be configured even in often crowded equipment enclosures.

Easily installed, the interface features robust wiring terminals with captive clamping washers to ensure secure wiring connection

The ZP745 is configured on site by jumper switch to accept inputs from equipment with either normally open, or normally closed outputs and can also monitor connections for either open or short circuit faults. A second jumper switch is provided to set the input into either a latching mode, when momentary signals are held by the interface until recognised by the panel, or normal non latching mode, when the signal is only held by the interface whilst the input contact is active.

A red LED indicator positioned on the front moulding flashes when the interface has operated, providing clear identification of the input signal source.

Installed as part of the ZP3 analogue addressable system, up to 127 line devices (sensors, callpoints or interface units) can be connected to each of the control panel loops. All loop devices incorporate switch settings enabling them to be assigned a unique address, which is polled by the panel every two seconds.

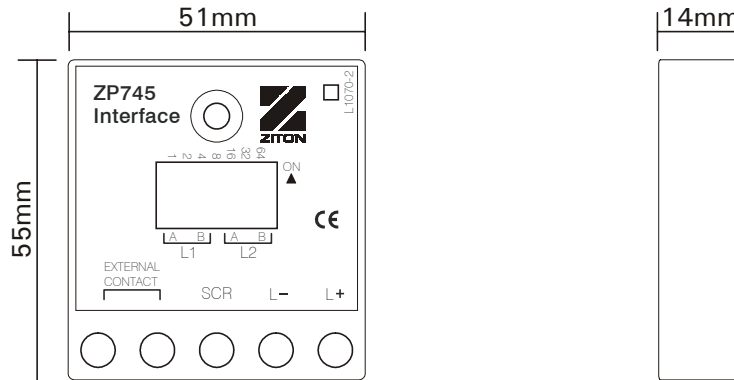


ZP745

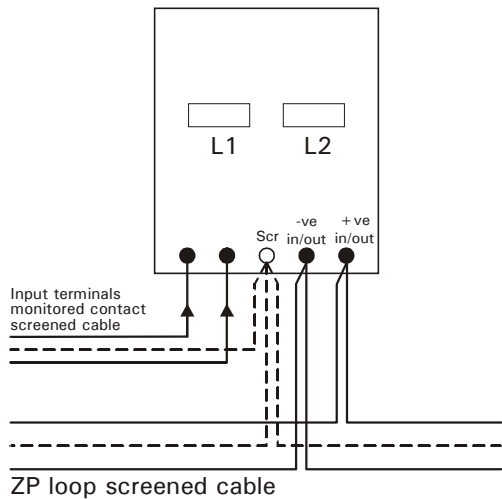
Addressable Miniature Interface Unit

- **Miniature size**
- **Addressable input interface unit**
- **Type selectable on site**
- **Accepts normally open or normally closed input circuits**
- **Monitors input circuit wiring for open or short circuit faults**

Dimensions



Wiring Schematic



Jumper settings

- L1**
- A Normally open connection - close to activate.
 - B Normally closed connection - open to activate.
- L2**
- A Latching mode.
 - B Non latching mode.

Monitoring resistor value across switching terminals 3K9 ohms.

[991141-01.cdr]

Specifications



Model No.	Part No.	Description	Compatibility
ZP745	74601	Addressable miniature interface unit	All ZP analogue addressable systems
Mounting	Surface	Max cable distance	10m (from switching terminals)
Wiring	2 core loop (screened)	Application	Indoor use
Monitoring:		EN60529 rating	IP20
ZP745 loop connection	Open and short circuit fault	Temp range	-10°C to +75°C
Monitored input	Open or short circuit fault by 3K9 ohm EOL resistor	Humidity range	20% to 95% RH (non condensing)
Input circuit	Normally open or normally closed (set by jumper switch)	EMC	CE marked (EEC89/336)
Interface type	Latching or non latching, fire or non fire (set by software in panel)	Construction:	
Indication	LED (red) flashing on operation	Material	Moulded ABS
Operating voltage	16 - 21 volts DC (from ZP loop)	Dimensions	55mm (H) x 51mm (W) x 14mm (D)
Current consumption	650µA	Colour	White
Monitored input	From volt free contacts only	Weight	32g

Ziton Ltd
 8 Newmarket Court Chippenham Drive Kingston Milton Keynes MK 10 0AQ United Kingdom
 Telephone +44 (0) 1908 281981 Fax +44 (0) 1908 282554 email zitonuk@ziton.com

Ziton (Pty) Ltd
 Ziton House 555 Voortrekker Road Maitland 7405 PO Box 4965 Cape Town 8000 South Africa
 Telephone +27 (0)21 506 6000 Fax +27 (0)21 506 6100 email zitonsa@ziton.spx.com

Copyright (c) Ziton Limited
 Ziton reserves the right to change specifications without notice in order to improve products or manufacturing methods. Although every effort is made to avoid errors, we reserve the right to correct typographical, photographic, clerical or printing errors.

PS 023.1262, issue 02, Published 31 August 2001

Comsec Protection Systems Ltd., Unit 26, Stadium Business Park, Ballycoolin Road, Dublin 11
 PHONE: (01) 8853008 - FAX: +353 (01) 8853007 EMAIL: info@comsec.ie - WEB: http://www.comsec.ie