

The ZP750-2 is an addressable relay providing single pole, volt free, change over contacts. The unit is intended for installation adjacent to equipment to be switched, thereby offering large savings in installation costs when compared to long, auxiliary circuit, wiring runs out from the control panel.

Located anywhere on the two core ZP loop the device is designed for power up or shut down of building services in fire conditions, for example the shut down of heating and ventilating equipment in order to prevent smoke spread in occupied areas. The relay is ideal for the control of associated system equipment such as door release circuits, or the emergency shutdown of high risk services, for instance gas or oil supply valves in boiler rooms.

The relay can be programmed to be activated by any single device, groups of devices or all system devices. All types of system input signals can be arranged to operate the ZP750-2, which can include control panel indicators, zonal outputs, callpoints or sensors.

Designed for first and second fix installation, the unit comprises an open backbox containing all wiring terminals, together with a front plate enclosure of high impact plastic, housing all electronics, printed circuit boards and selection switches. The two parts simply plug together prior to system completion.

A high intensity red LED indicator positioned on the front moulding illuminates when the interface contacts have operated. Terminals are also provided for the connection of a remote LED indicator. To further aid identification, an indent is moulded into the front enclosure for attachment of an address number label

Installed as part of the ZP3 analogue addressable system, up to 127 line devices (sensors, callpoints or interface units) can be connected to each of the control panel loops. All loop devices incorporate switch settings enabling them to be assigned a unique address, which is polled by the panel every two seconds.

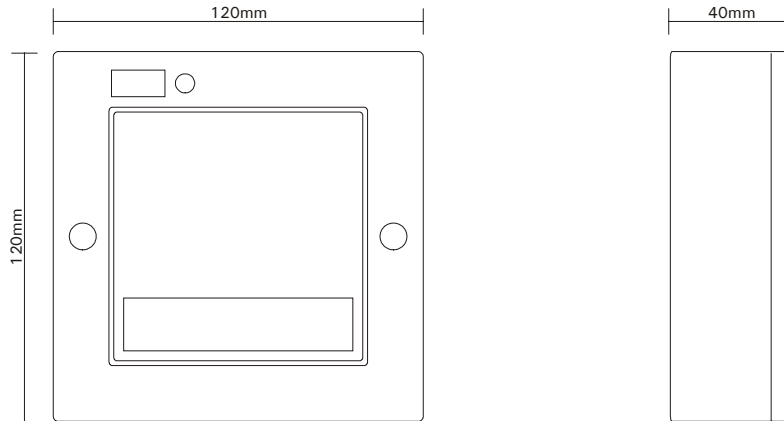


ZP750-2

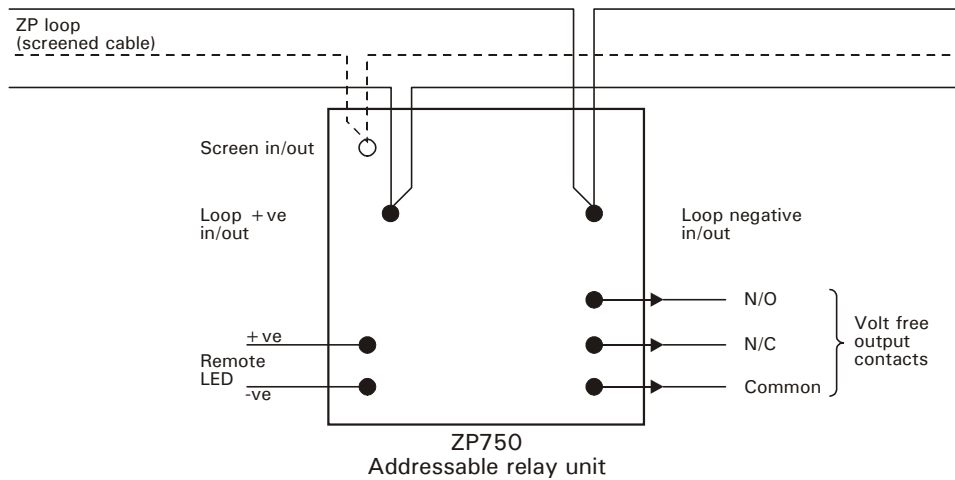
Addressable Line Relay Unit

- **Addressable output interface unit**
- **Loop wired - no long wiring runs from control panel**
- **Operated from any combination of input addresses**
- **Volt free change over contacts**

Dimensions



Wiring Schematic



Specifications



Model No.	Part No.	Description	Compatibility
ZP750-2	10801	Addressable relay unit	All ZP analogue addressable systems
Mounting	Surface	Environmental:	
Wiring	2 core loop	Application	Indoor installation
Monitoring:	ZP750-2 on loop open and short circuit, head out	EN60529 rating	IP40
Operating voltage	16-29 volts DC	Temp range	-10°C to +75°C
Current consumption	600µA at 24Vdc	Humidity range	20% to 95% RH (non condensing)
Relay contacts	Single pole, change over	EMC	CE marked (EEC89/336)
Max switching current	1.5 Amps	Construction:	
Max switching voltage	30Vdc	Material	Moulded ABS
Indication	LED (red) illuminated on operation	Dimensions	120mm (W) x 120mm (H)x 40mm (D)
		Colour	White
		Weight	300g

Ziton Ltd
 8 Newmarket Court Chippenham Drive Kingston Milton Keynes MK 10 0AQ United Kingdom
 Telephone +44 (0) 1908 281981 Fax +44 (0) 1908 282554 email ziton.uk@ziton.com

Ziton (Pty) Ltd
 Ziton House 555 Voortrekker Road Maitland 7405 PO Box 4965 Cape Town 8000 South Africa
 Telephone +27 (0)21 506 6000 Fax +27 (0)21 506 6100 email ziton.sa@ziton.com

Copyright (c) Ziton Limited
 Ziton reserves the right to change specifications without notice in order to improve products or manufacturing methods. Although every effort is made to avoid errors, we reserve the right to correct typographical, photographic, clerical or printing errors.

PS 023.1247, issue 01, Published 07 March 2000 Supersedes datasheet PS1104

Comsec Protection Systems Ltd., Unit 26, Stadium Business Park, Ballycoolin Road, Dublin 11
 PHONE: (01) 8853008 - FAX: +353 (01) 8853007 EMAIL: info@comsec.ie - WEB: http://www.comsec.ie