

The ZP755R is an addressable, sounder, designed for use on ZP3 analogue addressable fire detection and alarm systems. Developed for applications in individual rooms, sleeping accommodation or small compartments where it is impractical or unnecessary for the sounder and sensor to be combined.

Installed directly onto the ZP wiring loop - the ZP755R enables the system designer to offer a complete ZP3 analogue addressable system on a single pair of wires. Installation costs are greatly reduced, whilst system integrity, sounder options and programmed alarm organisation are significantly increased.

The units high efficiency acoustic design, together with a low energy, 'sound gun' transducer, enables combinations of up to 100 sensors and 100 sounders to be connected to a one kilometre loop of 1.5 mm<sup>2</sup> cable. An optional first fix plate accepts all loop and screen connections, prior to the room sounder connection via a single pair of leads.

The ZP755 range features a unique self test facility - automatically activated during routine sounder testing. A built in microphone circuit measures sound output level and automatically signals the sounder address and location to the control panel, should volume fall below the expected test level.

In systems where loop lengths or current requirements are excessive, ZP755 sounders can be powered directly from an external power supply. All ZP755 sounders incorporate switch settings enabling them to be assigned a unique address, which is polled by the panel every two seconds.

Continuous, intermittent and two-tone outputs are available, from which any combination can be chosen to provide alert and evacuate, two stage alarms. All sound types comply with BS 5839 Part 1:1988 recommended frequencies.

The ZP755R features the Ziton wide sound distribution design, with an 'all around' sound output of 90 dBA. A volume control is included for areas where a reduced sound output is required.

Moulded in high impact thermoplastic, the sounder is available in either red or white.



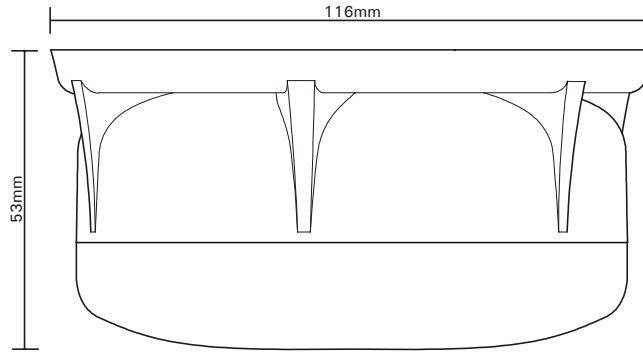
## ZP755R

---

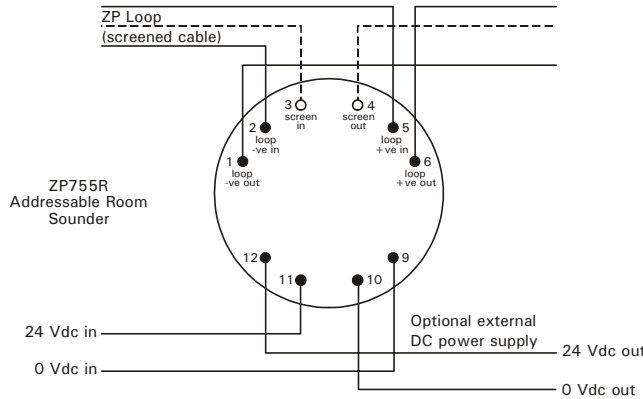
### Addressable Room Sounder

- **Wide 'all around' sound distribution**
- **Microphone self test facility**
- **Up to 100 sounders directly on the loop wiring**
- **High efficiency sound gun transducer**

# Dimensions



# Wiring Schematic



# Specifications



Model No.	Part No.	Specification	Description
ZP755R-W	70703	EN 54 part 3	Addressable room sounder-loop powered, white.
ZP755R-R	70702		Addressable room sounder-loop powered, red.

Compatibility	All ZP analogue addressable systems Note: sound options may vary for ZP5 and ZP3 systems with early software versions	Current	4.3 mA (average active)
Addressing method	7 way dip switch	Operating voltage	16-24 volts DC
Mounting	Surface- with optional first fix plate ZPT-FF-W white, ZPT-FF-R red	Max number per 1km loop	100 (subject to cable size and sounder spacing)
Wiring	2 core loop	<b>Environmental:</b>	
<b>Monitoring:</b>	ZP Loop-open and short circuit fault sound output level - self test facility	EN60529 rating	IP50
Sound output	Tone 1 - continuous 980Hz Tone 2 - intermittent 980Hz (0-5secs on/off) Tone 3 - two tone warble 980Hz/670Hz	Temp range	-10°C to +70°C
Sound level (at 1m)	90 dBA	Humidity range	10% to 95% RH (non condensing)
Sound distribution	Wide	EMC	CE marked EEC89/336
Current (average quiescent)	600 uA	<b>Construction:</b>	
		Material	Moulded thermoplastic
		Dimensions	116 mm (dia) x 53 mm (D)
		Colour	White or red
		Weight	110g

Ziton Ltd  
 8 Newmarket Court Chippenham Drive Kingston Milton Keynes MK 10 0AQ United Kingdom  
 Telephone +44 (0) 1908 281981 Fax +44 (0) 1908 282554 email zitonuk@ziton.com

Ziton (Pty) Ltd  
 Ziton House 555 Voortrekker Road Maitland 7405 PO Box 4965 Cape Town 8000 South Africa  
 Telephone +27 (0)21 506 6000 Fax +27 (0)21 506 6100 email zitonusa@ziton.com

Copyright (c) Ziton Limited  
 Ziton reserves the right to change specifications without notice in order to improve products or manufacturing methods. Although every effort is made to avoid errors, we reserve the right to correct typographical, photographic, clerical or printing errors.

PS 023.1305, issue 01, Published 13 December 2000

Comsec Protection Systems Ltd., Unit 26, Stadium Business Park, Ballycoolin Road, Dublin 11  
 PHONE: (01) 8853008 - FAX: +353 (01) 8853007 EMAIL: info@comsec.ie - WEB: http://www.comsec.ie