

The ZP785-2 is an addressable call point providing a manual means of initiating a fire alarm on ZP analogue addressable systems.

Complying with BS 5839 Part 2 and pr EN 54 Part 11, the ZP785-2 is suitable for installations meeting the recommendations of BS 5839 Part 1:1988. The callpoint is approved by several international approval bodies.

The unit is operated by breaking a frangible glass element with finger pressure. Glass elements have clear vinyl coatings on the front surface to prevent operator injury and to inhibit the release of loose fragments as the glass is broken.

Installed as part of the ZP3 analogue addressable system, up to 127 devices (call points, sensors and interface units) can be connected to each of the control panel loops. All loop devices incorporate switch settings enabling them to be assigned a unique address, which is polled by the panel every two seconds.

ZP785-2 callpoints are designed for semi recessed fixing, using a ETT/3 terminal tray and can be surface mounted by means of a Z-CPSB-1 matching plastic back box.

System testing is carried out by using a special test key which is inserted into a slot in the base of the call point moulding, the glass element drops allowing the device to operate.

Rated at IP 42 the ZP785-2 moulding is constructed of ABS plastic and intended for indoor applications. A red LED indicator is prominently positioned on the front of the moulding, which flashes when the unit is operated.

For locations where malicious operation, or accidental impact from flying objects may occur (for example sports halls), the operation of the unit can be restricted by the addition of an hinged, clear, polycarbonate, front cover (Z-CPC-1), which can be further protected by a breakable cover seal (Z-CC-2). In use the seal must be broken, prior to raising the cover.

The ZP785-2 manual call point is part of the Ziton ZP700 range of analogue addressable devices.



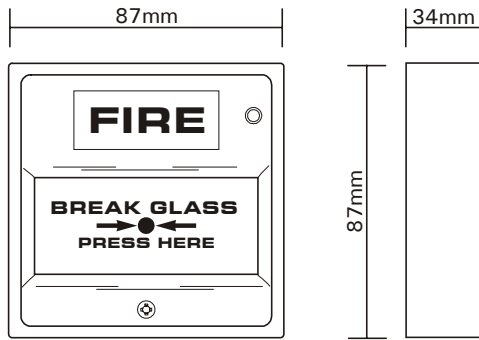
## ZP785-2

---

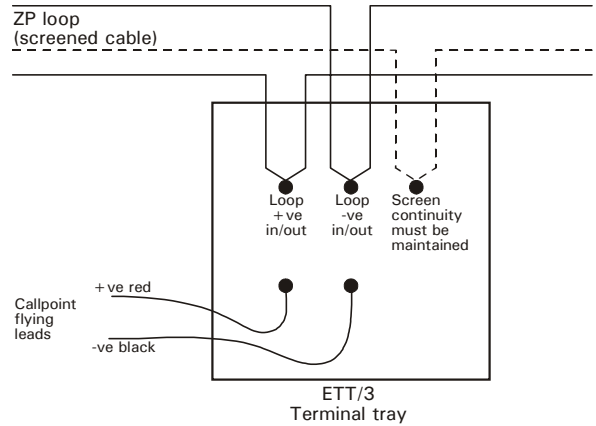
### Addressable Callpoint

- **Complies with BS 5839 Part 2 and pr EN 54 Part 11**
- **System test facility via test key**
- **Operated by finger pressure**

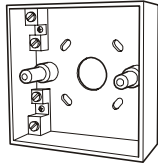
## Dimensions



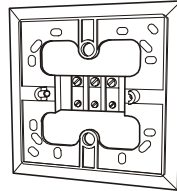
## Wiring Schematic



## Accessories



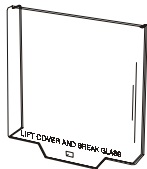
Z-CPSB-1 Surface mounting back box (red)



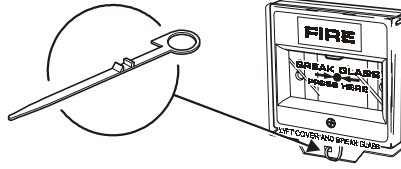
ETT/3 Terminal tray



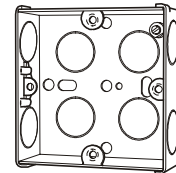
Z-CPG-1 Spare glass (5)



Z-CPC-1 Protective cover



Z-CCS-2 Breakable cover seal



Z-CPRB-1 Single gang flush fix box

## Specifications



Model No.	Part No.	Specification	Description	Performance
ZP785-2	11210 (English)	BS 5839 Pt2, EN54 Pt11	Addressable callpoint	3 sec alarm response in ZP systems
Compatibility	All ZP analogue addressable systems		<b>Environmental:</b>	
Mounting	Wired via ETT/3 terminal tray for recessed fixing Addition of Z-CPSB-1 backbox for surface fixing		Application	Indoor use
Wiring	ZP loop - 2 core plus screen, continuity must be maintained		EN60529 rating	IP42
<b>Monitoring:</b>	Open and short circuit loop wiring faults		Temp range	-10°C to +75°C
Indication	Alarm LED (red)		Humidity range	0% to 95% RH (non condensing)
Operating voltage	16-22 volts DC		EMC	CE marked (EEC89/336)
Current (quiescent)	600µA		<b>Construction:</b>	
Current (alarm)	700µA		Material	Moulded ABS
Operating principle	Micro switch		Dimensions	87mm (H) x 87mm (W) x 32mm (D)
			Colour	Red
			Weight	125g

Ziton Ltd  
8 Newmarket Court Chippenham Drive Kingston Milton Keynes MK 10 0AQ United Kingdom  
Telephone +44 (0) 1908 281981 Fax +44 (0) 1908 282554 email ziton.uk@ziton.com

Ziton (Pty) Ltd  
Ziton House 555 Voortrekker Road Maitland 7405 PO Box 4965 Cape Town 8000 South Africa  
Telephone +27 (0)21 506 6000 Fax +27 (0)21 506 6100 email ziton.sa@ziton.com

Copyright (c) Ziton Limited  
Ziton reserves the right to change specifications without notice in order to improve products or manufacturing methods. Although every effort is made to avoid errors, we reserve the right to correct typographical, photographic, clerical or printing errors.