

The ZP710-2 is an ionization, smoke sensor, designed to provide reliable sensing of both visible and invisible products of combustion from fast burning fires. The sensors advanced design and proven response make it effective in risk areas where materials such as oil, spirits, wood or paper may be stored.

Featuring an advanced dual chamber single source design, the ZP710-2 fully meets the sensitivity requirements of European Standard, EN 54 Pt 7 and is approved by several international approval bodies.

Installed as part of the ZP3 analogue addressable system, up to 127 sensing devices can be connected to each of the control panel loops. All loop devices incorporate switch settings enabling them to be given a unique address, which is polled by the panel every two seconds.

False and unwanted alarms are virtually eliminated - smoke levels are continuously sensed by the unit and transmitted via the ZP wiring loop as electronic signals, which are assessed and verified by the control panel prior to any alarm decision being taken.

Sensor sensitivity, calibration and self test are carried out automatically by the ZP3 system. Removal or replacement of an incorrect sensing device, will be identified by the system and shown as a fault. Sophisticated auto contamination adjustment, compensates for any drift in performance due to dirt in the sensing chamber.

Whilst effective in operation the ZP710-2 is unobtrusive when installed. The low profile moulding together with either surface or recessed bases makes the unit ideal for both commercial and industrial interiors. A red LED indicator situated on the sensor moulding flashes to indicate when the unit is in alarm.

For ease of removal sensors plug into a range of base units by a simple twist and lock action. A site selectable option is provided to lock the sensor into its base. Once applied the unit can only be removed by means of a special tool.

Space for address labels is provided on sensor and base mouldings - ensuring units are replaced in their correct location and address numbers can be identified from floor level.

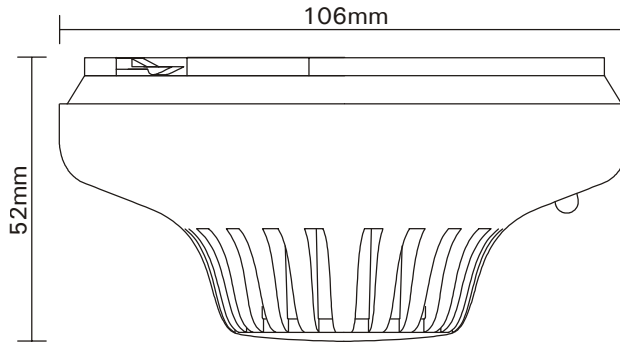


ZP710-2

Analogue Ionization Smoke Sensor

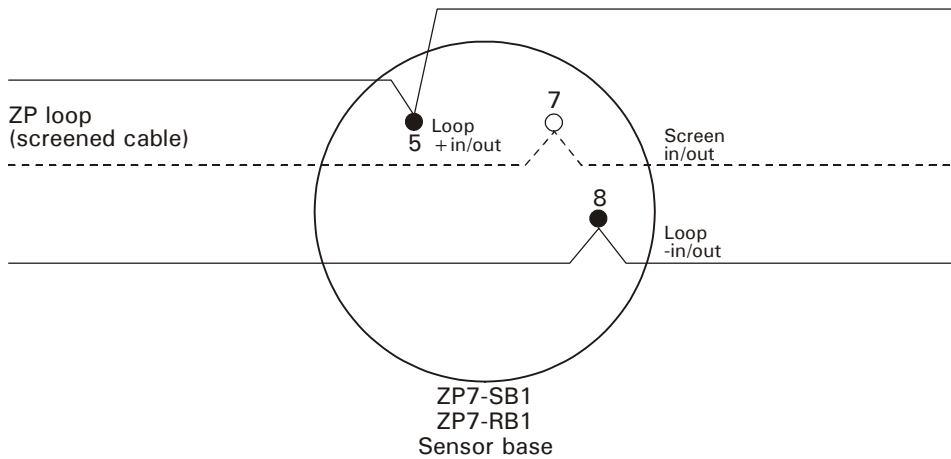
- **Senses products of combustion from fast burning fires**
- **Complies to EN 54 Pt7**
- **Analogue sensing - reduces false and unwanted alarms**
- **Addressable - system knows the status and location of every sensor**
- **Alarm verification, self test, auto contamination adjustment**

Dimensions



Note: Dimensions shown without base.

Wiring Schematic



Specifications



Model No.	Part No.	Specification	Description	Sensitivity
ZP710-2	10500	EN54 P17	Analogue ionization smoke sensor	0.8Y (at sensitivity level 2)

Compatibility	All ZP analogue systems	Environmental:	
Mounting	Plugs into surface or semi recessed base	Application	Indoor use
Area coverage	100m ² , subject to local codes	EN60529 rating	IP32
Wiring	2 core loop or spur	Temp range	-10°C to +75°C
Monitoring:	Open and short circuit fault. Sensor removal and device type.	Humidity range	20% to 95% RH (non condensing)
Indication	Alarm LED (red)	EMC	CE marked (EEC89/336)
Operating voltage	16-22 volts DC	Construction:	
Current (quiescent)	600µA	Material	Moulded ABS
Current (alarm)	700µA	Dimensions	106mm (Dia) x 52mm (H) (excluding base)
Addressing method	7 way DIP switches in head	Height	From ceiling with base:
Detection principle	Dual chamber, source <1 µC Am241		ZP7-SB1 surface base - 60mm
			ZP7-RB1 recessed based - 38mm
		Colour	White
		Weight	105g (without base)

Ziton Ltd
 8 Newmarket Court Chippenham Drive Kingston Milton Keynes MK 10 0AQ United Kingdom
 Telephone +44 (0) 1908 281981 Fax +44 (0) 1908 282554 email ziton.uk@ziton.com

Ziton (Pty) Ltd
 Ziton House 555 Voortrekker Road Maitland 7405 PO Box 4965 Cape Town 8000 South Africa
 Telephone +27 (0)21 506 6000 Fax +27 (0)21 506 6100 email ziton.sa@ziton.com

Copyright (c) Ziton Limited
 Ziton reserves the right to change specifications without notice in order to improve products or manufacturing methods. Although every effort is made to avoid errors, we reserve the right to correct typographical, photographic, clerical or printing errors.