

Designed to provide the earliest response to a wide range of fire types the ZP732-2 sensor combines optical smoke sensing and thermal monitoring to provide an accurate warning of fire. Individual software monitoring of each element measures actual smoke levels, in addition to temperature rates of rise. Smoke sensing can be isolated for areas where ambient smoke may exist at certain times of the day, or used on a day night basis in premises where heat only is required whilst the building is occupied.

Temperature response meets the requirements of European Standard EN 54 Part 5. (programmable to Grade 1 or Grade 3), with smoke sensitivity complying with EN 54 Part 7. The sensor is approved by several international approval bodies.

The smoke element is regularly recalibrated by the panel for contamination and constant sensitivity, self test and selectable alarm verification are all provided automatically by the ZP control panel software.

Up to 127 sensing devices can be connected to each of the control panel loops. All loop devices incorporate switch settings enabling them to be assigned a unique address, which is polled by the panel every two seconds.

Whilst effective in operation the ZP732-2 is unobtrusive when installed. The low profile moulding together with either surface or recessed bases makes the unit ideal for both commercial and industrial interiors. A red LED indicator situated on the sensor moulding flashes to indicate when the unit is in alarm.

For ease of removal sensors plug into a range of base units by a simple twist and lock action. A site selectable option is provided to lock the sensor into its base. Once applied the unit can only be removed by means of a special tool.

Space for address labels is provided on sensor and base mouldings - ensuring units are replaced in their correct location and address numbers can be identified from floor level.

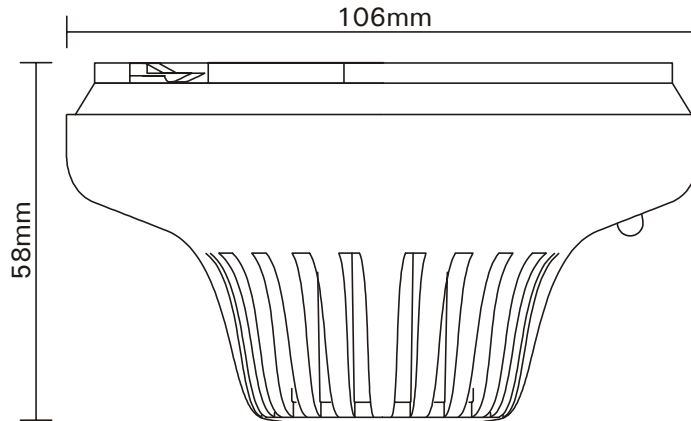


ZP732-2

Combination Smoke and Thermal Sensor

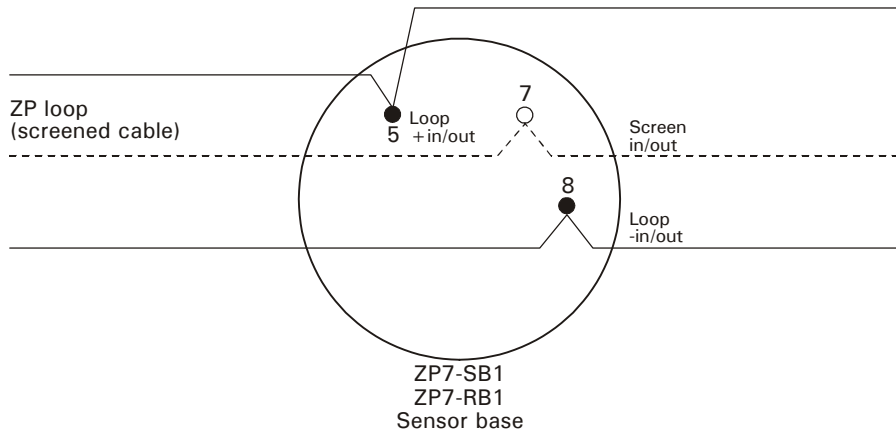
- **Senses both smoke and heat**
- **Heat only facility**
- **Complies to EN 54 Parts 5 and 7**
- **Analogue sensing - reduces false and unwanted alarms**
- **Addressable - system knows the status and location of every sensor**
- **Alarm verification, self test, auto contamination adjustment**

Dimensions



Note: Dimensions shown without base.

Wiring Schematic



Specifications



Model No.	Part No.	Specification	Description
ZP732-2	427AA	EN54 Pt5 and Pt7	Analogue sensor base - recessed

Compatibility	All ZP analogue systems	Environmental:	
Mounting	Plugs into surface or semi recessed base	Application	Indoor use
Wiring	2 core loop or spur	EN60529 rating	IP32
Area coverage	<i>Smoke element:</i> 100m ² , subject to local codes <i>Thermal element:</i> 50m ² , subject to local codes	Temp range	-10°C to +75°C
Monitoring:	Open and short circuit fault sensor removal and device type	Humidity range	20% to 95% RH (non condensing)
Detection principle	<i>Smoke:</i> photo electric light scatter <i>Thermal:</i> thermistor	EMC	CE marked (EEC89/336)
Addressing method	7 way DIP switches in head	Construction:	
Indication	Alarm LED (red)	Material	Moulded ABS
Operating voltage	16-22 volts DC	Dimensions	106mm (D) x 58mm (H) (excluding base)
Current (quiescent)	600µA	Height	From ceiling with base: ZP7-SB1 surface base - 67mm ZP7-RB1 recessed based - 45mm
Current (alarm)	700µA	Colour	White
		Weight	105g

Ziton Ltd
 8 Newmarket Court Chippenham Drive Kingston Milton Keynes MK 10 0AQ United Kingdom
 Telephone +44 (0) 1908 281981 Fax +44 (0) 1908 282554 email zitonuk@ziton.com

Ziton (Pty) Ltd
 Ziton House 555 Voortrekker Road Maitland 7405 PO Box 4965 Cape Town 8000 South Africa
 Telephone +27 (0)21 506 6000 Fax +27 (0)21 506 6100 email zitonsa@ziton.com

Copyright (c) Ziton Limited
 Ziton reserves the right to change specifications without notice in order to improve products or manufacturing methods. Although every effort is made to avoid errors, we reserve the right to correct typographical, photographic, clerical or printing errors.

PS 022.1245, issue 01, Published 06 March 2000

Comsec Protection Systems Ltd., Unit 26, Stadium Business Park, Ballycoolin Road, Dublin 11
 PHONE: (01) 8853008 - FAX: +353 (01) 8853007 EMAIL: info@comsec.ie - WEB: http://www.comsec.ie