

Designed to match the ZP3 main control panel, the ZP3-RDU remote display is an attractive, low profile unit providing repeat indication and system control at a location remote from the main control panel position.

Housed in a small, slim attractive enclosure, the remote unit has a fascia design and layout in matching style to ZP3 control equipment. Up to 32 remote units can be connected to any central panel.

The unit features zonal designation for up to 50 zones, a 4 row 160 character, back lit liquid crystal display and an 'at a glance' system status LED matrix. Controls are provided for accept, reset, silence and sound alarms. A restore disabled alarms facility re-enables previously disabled alarm sounders immediately, should the need for an evacuation arise.

Control keys are provide to select listings of current fires, faults and disablements for display. Initial information is displayed by zone, with a further facility to display point addresses within the displayed zone.

Operating as an indicator panel only in its normal mode the ZP3-RDU system control functions are accessed by means of a security key switch. Internal switches are provided to configure the unit to operate as an indicator only with no control facilities, with controls by key access, or with control functions enabled on a permanent basis.

The unit is driven from an optional serial driver card, added to the main board within the ZP3 panel enclosure. Wiring to the main control panel is by serial link, screened, twisted pair, which can be daisy chained, teed off or spurred. The total wiring length of all remote display units connected to a main control panel can be up to two kilometres.

The ZP3-RDU can either be powered directly from the main panel 24 Vdc, or by a remote power supply unit.

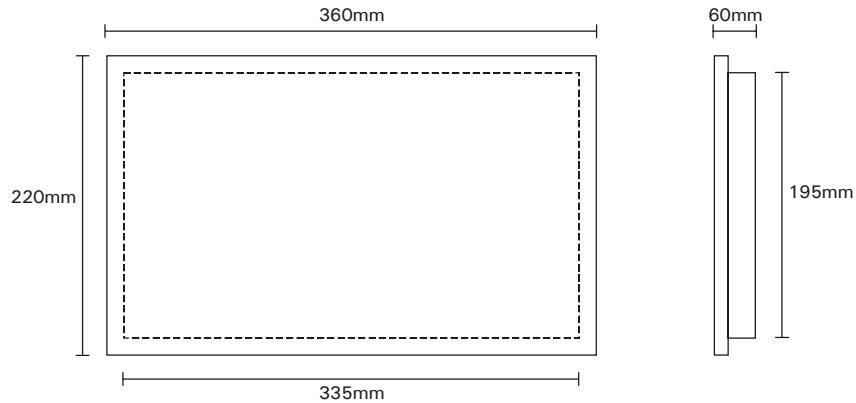


ZP3-RDUB1

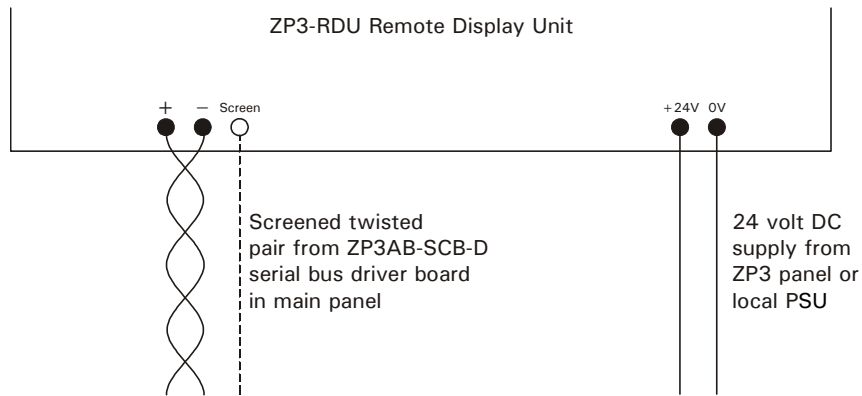
Remote Display Unit

- **Remote control and indication**
- **Up to 32 remote units connected to each main panel**
- **4 row 80 character LCD**
- **Replicates main panel fascia**
- **Restore disabled sounders facility**

Dimensions



Wiring Schematic



Specifications



Model No.	Part No.	Description
ZP3-RDUB1-24	47501	Remote display unit
EMC	CE marked (EEC89/336)	Data interface
Compatibility	ZP3 analogue addressable panels	Via ZP3AB-SCB-D (RS485) serial bus driver board
Mounting	Surface or recessed	Selectable features
Wiring	Communications connection by 2 core RS485 screened twisted pair. Total 2km for any number of remote units per ZP3 main panel	All controls by key switch enable (can be software enabled in main panel)
Monitoring:	Panel disconnection	Environmental:
Indicators	Zone designation - 50 light emitting diodes System status - 32 light emitting diodes - including power, fire, fault, disabled, other, silence alarms, sound alarms. Text display-4 line 160 character LCD (black lit) and supervisory buzzer-confirms all alarms and operator key presses.	EN60529 rating
Operating voltage	24 Volts dc	Temp range
Power supply	From ZP3 control panel or remote PSU	Humidity range
Current (panel in mains fail state)	90mA, 320mA (max)	Construction:
		Enclosure
		Dimensions
		Colour
		Weight

Ziton Ltd
 8 Newmarket Court Chippenham Drive Kingston Milton Keynes MK 10 0AQ United Kingdom
 Telephone +44 (0) 1908 281981 Fax +44 (0) 1908 282554 email zitonuk@ziton.com
 Ziton (Pty) Ltd
 Ziton House 555 Voortrekker Road Maitland 7405 PO Box 4965 Cape Town 8000 South Africa
 Telephone +27 (0)21 506 6000 Fax +27 (0)21 506 6100 email zitonsa@ziton.com

Copyright (c) Ziton Limited
 Ziton reserves the right to change specifications without notice in order to improve products or manufacturing methods. Although every effort is made to avoid errors, we reserve the right to correct typographical, photographic, clerical or printing errors.

PS 021.1294, issue 01, Published 13 December 2000

Comsec Protection Systems Ltd., Unit 26, Stadium Business Park, Ballycoolin Road, Dublin 11
 PHONE: (01) 8853008 - FAX: +353 (01) 8853007 EMAIL: info@comsec.ie - WEB: http://www.comsec.ie