

The Ziton ZP3 is an analogue addressable fire detection and alarm system, based upon advanced technology developed to provide maximum flexibility through a comprehensive range of modular hardware, supported by highly configurable software.

Advanced panel design, combined with high sensitivity smoke and fire sensing, enables ZP3 not only to identify and disregard conditions which would result in false or unwanted alarms - but to recognise real fires sooner.

Scaleable in every aspect, the ZP3 system offers tailor made engineered solutions for all applications, from single panel systems to large multi panel networks. Modular design backed by powerful software enables ZP3 systems to be configured exactly to the needs of any commercial or industrial site.

Control panels are available in 1, 2, and 4 loop sizes, accommodating up to 508 sensing addresses. For sites requiring above four loops, panels can be networked together to form systems capable of controlling over 16000 devices from 32 control panels.

Up to 127 line devices (sensors, callpoints, sounders or interface units) can be connected to each of the control panel loops. All loop devices incorporate switch settings enabling them to be assigned a unique address, the location of which is pinpointed and polled by the panel every two seconds. Variations in the sensors environment caused by increases of temperature or products of combustion, are reported to the panel, where they are processed and compared to known fire data, prior to any alarm output being activated.

Constant communication between control panel and sensor, enables ZP3 to provide a wide range of user facilities including pre alarm, constant sensitivity adjustment and service and near service listings for all sensor types.

Software flexibility enables facilities such as alarm organisation, evacuation procedures and complex cause and effect requirements to be easily programmed into any system.

All customer and site data is held in non volatile flash memory, ensuring both ease of initial system data input and subsequent on site amendments and modifications should they occur.



ZP3

Analogue Addressable Control Panel

- **ZP analogue addressable system**
- **Complies fully with EN 54 parts 2 and 4**
- **Advanced sensing techniques**
- **Extensive networking ability**
- **Loop powered sounders**

Features

The ZP3 panel supports, fire and non fire functions, loop powered sounders, remote control and remote display panels, up to 128 zones with 768 programmable inputs and outputs per panel, all covered by comprehensive programming facilities.

ZP3 'active' protocol provides complete reliability at all times. Systems feature the continuous monitoring of wiring and sensors, corrupt data detection and disconnection of faulty or corrupt loop sections.

Built in system diagnostics improves levels of maintenance and reduces service costs. Included are remote diagnostic support (optional), sensor and sounder testing, statistics and status reports, sensor contamination and near service reports and 'one man - zone walk test'

Other features include -

Ease of Operation - user interface incorporating both large, 160 character LCD display and traditional LED indicators provide clear, easy to understand information at all levels.

Service and near service facility - compensates for sensitivity drifting over time period listing sensors that are due for cleaning and others that may be approaching the service condition.

Sophisticated alarm verification - offers two time integration levels for each address, selectable to suit sensor environment.

Automatic Self Test - all sensors are functionally tested every 24 hours ensuring full functionality and correct calibration at all times.

Day / night control - separate programmes for day and night operation. Different sensor sensitivity, alarm selection, alarm delays and fire brigade response can be configured.

Radio Loop Interface - full analogue system facilities via wireless interface enables equipment to be sited where access is difficult or cable runs impossible.

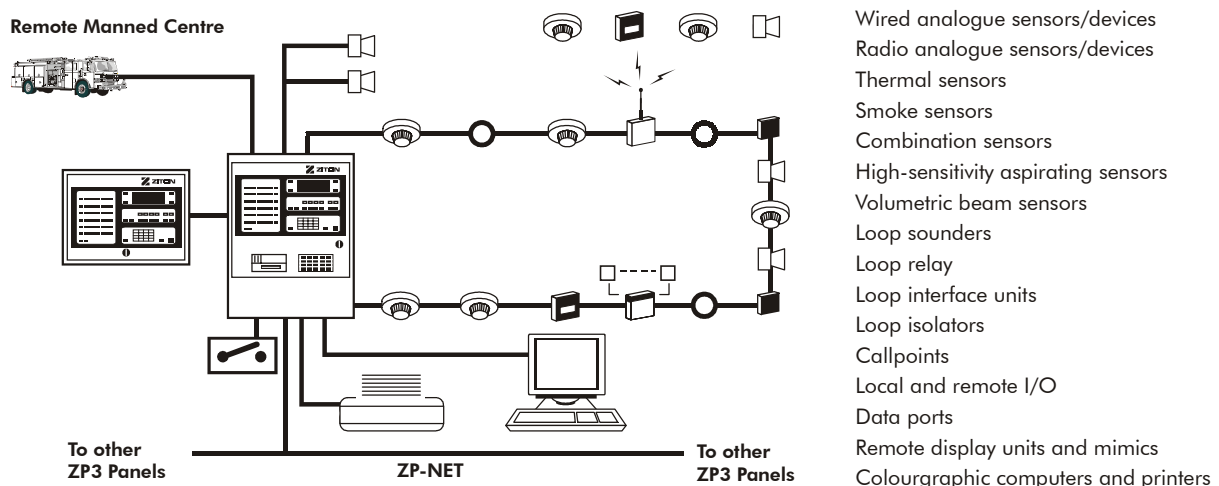
Automatic contamination adjustment for each sensor - maintains constant sensitivity.

Intelligent loop isolation - maintains system integrity against partial or full short circuit faults and monitors for data corruption.

Self test sounder - loop wired sounder range features built in microphone circuit to automatically test sounder output by loop, zone or individual unit.

Password protection - provides multilevel access, complying with BS EN54 Part 2.

Event Log - all system events for example alarms, faults and disablements are held in the control panel memory. Up to 1000 events can be displayed or printed in order.



Networking and Software Support Packages

Optional facilities

An onboard printer module together with a series of facility boards can be added to the standard panel to extend any system up to a maximum of 768 programmable inputs and outputs.

Networking

The ZP3 peer to peer network enables up to 32 stand alone ZP3 control panels to be integrated into a single co-ordinated fire detection and alarm system. The network facility features system wide alarm reporting, co-ordinated evacuation and cross panel cause and effect operation, making it ideal for large systems and multi building sites.

System control and graphics display computers can be included on the network. Display and control functions are fully programmable and alarms and events, including zone, location and individual address detail, can be displayed from the system of origin to any other networked panel. In addition alarms from any control panel can be programmed to operate sounders and outputs on panels across the network.

One or more control panels can be assigned as system masters, displaying complete system status. System control and graphics display computers also show complete network status and allow control functions to be operated remotely.

Maestro

Designed specifically for connection to ZP3 fire detection systems Maestro is a P.C. based monitoring system, providing the user with a complete system overview.

Graphically presenting alarms and events, Maestro provides system control, colour graphics and event logging with archive facilities. Running on Windows NT, the software can be used either with stand alone control panels or as an integrated network facility.

Planner

Planner software package enables system designers to fully configure ZP3 systems either directly into the panel via a PC, or off site for subsequent downloading at the system commissioning stage. The package checks that equipment parameters entered are within the ranges allowed and prompts the user on allowable options.

Remote diagnostics

Designed to provide the user with full facilities for both fault diagnosis and system configuration off site, the remote diagnostics hardware and software package makes information available to service personnel, prior to visiting site for remedial action or maintenance activity.

Specifications



Model No

ZP3 - 4L	4 loop panel
ZP3 - 2L	2 loop panel
ZP3 - 1L	1 loop panel

Description

Analogue addressable fire detection and alarm control panel

Specification

Control panel	EN 54 Pt 2
Integral power supply unit	EN 54 Pt 4
Meets recommendations in systems to BS 5839 Pt1:1988	

EMC

CE marked (EEC89/336)

Configuration

Loops	1, 2, and 4.
Addresses	Up to 127 per loop

Compatibility

All ZP analogue addressable equipment

Mounting

Surface or recessed (with ZP3 flushing collar)

Power Requirements

Panel (Quiescent at 24 VDC) 4 loops	420mA
Load of panel only, excluding any external devices	
Panel (Alarm at 24 VDC)	820mA
25% of zones in alarm	
Per Loop (Quiescent at 24 VDC)	70mA
Fully loaded loop, with 127 ZP devices, not in alarm	

Power Supply

Input	230 Vac 50 Hz + or -10%
	0.75 Amps
Optional input DC	24 to 50 volts
	load dependent
User output	24 Vdc (nominal) up to 3.0 Amps
Battery charge	28.2 Vdc 1.2 Amps

Wiring

2 core screened (to local codes and standards)

Switched outputs (standard)

Sounder circuits (programmable)	2 x dual (monitored)
Fire (common)	1 volt free N/O or N/C
	(software set)
Fault (common)	1 volt free N/O or N/C
	(software set)
Remote manned centre (fire)	1 monitored
Remote manned centre (fault)	1 monitored

Monitoring

Loop wiring Open and short circuit fault, earth leakage, sensor removed and wrong device type

Switched outputs & inputs (optional & programmable)

Non loop devices:	
Sounder circuits	} Total max 768
Relay outputs	
Transistor outputs	
Monitoring inputs	

Indicators

System status	- 87 light emitting diodes
Text display	- 4 line, 160 character, LCD (back lit)

Optional printer

24 character (built into front door)

Software

Firmware and site configuration programming - Flash memory
 Communications ports:

Z-Port 1	Planner	RS 232
Z-Port 2	Network	RS 485 / fibre optic

Repeater Panel

ZP3 RDUB1-24 remote display unit

Selectable features

Common sounders	Coincidence alarm
RMC fire	RMC fault
Zone walk test	Control output
Output delays	Alarm counter
Sounder silence delay	Alarm verification

Standby batteries

2 x 12 volt sealed lead acid
 Up to 28 Ah (Panasonic) accommodated inside panel enclosure

Temperature range

-5 °C to +40 °C

Humidity range

10% to 90% RH (non condensing)

Environmental

IP 30 (indoor applications)

Construction

Enclosure - Back box and hinged door - sheet steel

Dimensions

540 mm (H) x 410 mm (W) x 137 mm (D)
 Overall dimensions when mounted in flushing collar:
 623 mm (H) x 512 mm (W)
 15 mm projection when recessed

Colour

Pantone 428c Cool grey

Weight

11.0 Kg with printer (batteries excluded)

Ziton Ltd
 8 Newmarket Court Chippenham Drive Kingston Milton Keynes MK 10 0AQ United Kingdom
 Telephone +44 (0) 1908 281981 Fax +44 (0) 1908 282554 email zitonuk@ziton.com

Ziton (Pty) Ltd
 Ziton House 555 Voortrekker Road Maitland 7405 PO Box 4965 Cape Town 8000 South Africa
 Telephone +27 (0)21 506 6000 Fax +27 (0)21 506 6100 email zitonza@ziton.com

Copyright (c) Ziton Limited
 Ziton reserves the right to change specifications without notice in order to improve products or manufacturing methods. Although every effort is made to avoid errors, we reserve the right to correct typographical, photographic, clerical or printing errors.

PS 021.1278, issue 01, Published 10 November 2000

Comsec Protection Systems Ltd., Unit 26, Stadium Business Park, Ballycoolin Road, Dublin 11
 PHONE: (01) 8853008 - FAX: +353 (01) 8853007 EMAIL: info@comsec.ie - WEB: http://www.comsec.ie