

The 202 series strobe units are high output visual alarm devices, designed to compliment compatible fire detection system alarm circuits. They are ideal for applications where alarm sounders alone may prove ineffective for evacuating occupied premises.

In systems where high levels of background noise prohibit the use of audible alarms, residential establishments with occupants who may be infirmed or hard of hearing, or in manufacturing areas where intense industrial noise demands the use of ear protection, the visual indication of alarms may become necessary.

The 202 series strobes are used world wide, they are CE marked and carry several international approvals, including Underwriters Laboratory (UL) listings.

Units are available with either red lens and a 110 candela effective flash output intensity, or clear lens and a 75 candela effective flash output intensity. All strobe units are polarised for system monitoring and are powered either directly from the fire alarm panel, or in systems featuring a large number of units via a suitable auxiliary power supply.

Self synchronizing, the strobes have a flash frequency of 1 second ensuring a distinct alarm pattern. Light dispersion is controlled by a specially shaped reflector, diverting calculated percentages of rated light in both vertical and horizontal directions.

Measuring only 127 mm x 66 mm, the units feature an integral fixing plate for ease of installation, via a suitable flush fixing box. Large screw terminals are provided to accommodate sounder circuit wiring conductors of up to 2.5 mm².

Lens labels providing a range of warning legends, are available for horizontal (ceiling), or vertical (wall) mounting applications. Housings and front plates are manufactured from red fire retardant, high impact plastic and feature textured surfaces.

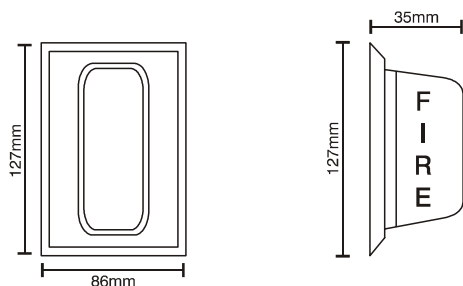


202 Series

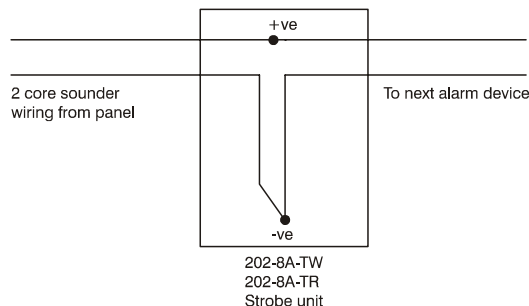
Strobe Units

- **High intensity light output**
- **Self synchronizing**
- **Controlled light dispersion**
- **Choice of red or clear lens**
- **Wall or ceiling mounted models**

Dimensions



Wiring Schematic



NOTE - conductor sections between units must be cut and clamped separately in terminals. They must not be continuously looped around terminal screw or sections twisted together.

Specifications



Model No.	Part No.	Description
202 - 8A - T	92901	Strobe - 110cd. Red Molding/Clear lens
202 - 8A - TR	92902	Strobe - 75cd. Red Molding/Red lens
LKW-1	93001	Lens label- FIRE wall mounting
LKW -1C	93002	Lens label- FIRE (Chinese) wall mounting
LKW-9	93003	Lens label- FUEGO wall mounting
LKC-1	93101	Lens label- FIRE ceiling mounting
LKC -1C	93102	Lens label- FIRE (Chinese) ceiling mounting
LKC-9	93103	Lens label- FUEGO ceiling mounting

Compatibility	All ZC and ZP systems subject to current consumption
Mounting	Suitable flush fixing box
Wiring	Two wire
Terminals	Screw terminals, up to 2.5 mm ² diameter conductors
Approvals	UL 1971, UL 1638, ULC S526, CE, FM, CSFM, MEA.
Monitoring	Polarised input
Operating voltage	24 volts DC
Current (average)	219 mA at 24vDC
Strobe flash rate	Synchronised at 1 flash per second
Environmental	
Application	Indoor installation
Temp range	0°C to +49°C
Humidity	85% RH at 30°C ambient temperature
Construction	
Material	Base - Self coloured, textured, fire resistant plastic Lens - Polycarbonate
Dimensions	127mm x 86mm (base plate) x 75mm (H)
Colour	202-8A-TW White 202-8A-TR Red
Weight	400g

Ziton Ltd
8 Newmarket Court Chippenham Drive Kingston Milton Keynes MK 10 0AQ United Kingdom
Telephone +44 (0) 1908 281981 Fax +44 (0) 1908 282554 email zitonuk@ziton.com

Ziton (Pty) Ltd
Ziton House 555 Voortrekker Road Maitland 7405 PO Box 4965 Cape Town 8000 South Africa
Telephone +27 (0)21 506 6000 Fax +27 (0)21 506 6100 email zitonza@ziton.spx.com

Copyright (c) Ziton Limited
Ziton reserves the right to change specifications without notice in order to improve products or manufacturing methods. Although every effort is made to avoid errors, we reserve the right to correct typographical, photographic, clerical or printing errors.

PS 501.1419, issue 01, Published 26 March 2002

Comsec Protection Systems Ltd., Unit 26, Stadium Business Park, Ballycoolin Road, Dublin 11
PHONE: (01) 8853008 - FAX: +353 (01) 8853007 EMAIL: info@comsec.ie - WEB: http://www.comsec.ie