

The Genesis range of alarm devices, features sounders and strobes, available either as separate units or combined to provide an audio visual alarm in a single enclosure. All units are designed to provide high sound and light output.

Less than 25mm deep when flush fixed, Genesis' ultra low profile makes it ideal for most building types, especially as an audio visual alarm for applications where alarm sounders alone may prove ineffective for evacuating occupied premises.

Strobe elements feature a unique reflector design, which channels and conditions light output, providing a highly controlled distribution. A choice of sound output offers either a continuous tone or a distinct, temporal signal, comprising a repeated sequence of three half second pulses, each half a second apart, followed by a one and a half second pause.

Units are available providing high flash output (75 candela), or low flash output (15 candela). Sound output is typically 102dBA for the continuous tone and 94dBA for the temporal version (both measured at 1 metre).

Temporal horn/strobe and horn only models are factory set to the three pulse, temporal pattern, but can be changed to the steady tone by cutting a track, provided at the edge of the printed circuit board. The strobe output on the strobe only and the combined temporal horn/strobe can be site configured in a similar manner.

The addition of the Signal Master horn control module, clipped inside the first unit of the alarm circuit, enables the audible output to be silenced at the control panel, whilst the strobe warning continues until the system is reset.

Available in either red or white mouldings, the range either flush fixes via a matching trim plate, or is surface mounted by means of a surface mounting box.

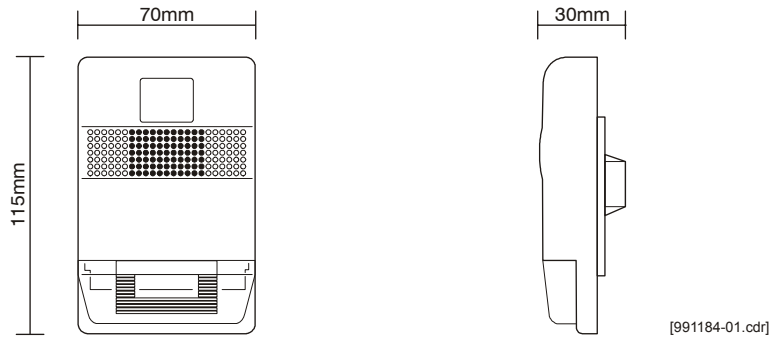


Genesis

Horn/Strobe Units

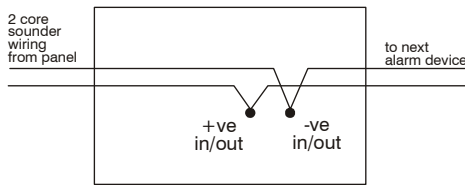
- **Low profile unit**
- **Even light distribution**
- **Self synchronizing**
- **Separate or combined horn/strobe units**
- **Continuous or intermittent sounding**
- **Signal Master horn control**

Dimensions

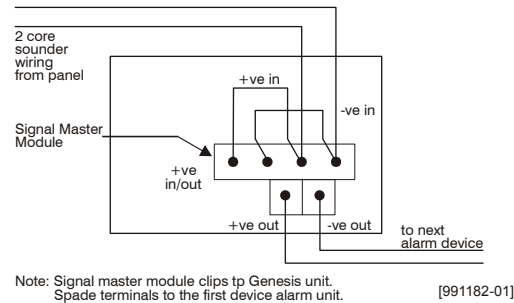


Wiring Schematic

Direct Connection



Connection via Signal Master Module



Specifications



Model No.	Part No.	Description	Model No.	Part No.	Description
ZG1-HOV15	93201	Temporal horn/strobe 15 cd. White	ZG1R-V75	93304	Strobe 75cd. Red
ZG1HOV75	93203	Temporal horn/strobe 75 cd. White	ZG1R-HO	100201	Horn (Temporal) Red
ZG1-V15	93301	Strobe 15 cd. White	ZG1R-P	100202	Horn (Continuous) Red
ZG1-V75	93303	Strobe 75cd. White	ZG1M	93401	Signal master module
ZG1-HO	100101	Horn (Temporal) White	ZG1T	93501	Trim plate White
ZG1-P	100102	Horn (Continuous) White	ZG1RT	93502	Trim plate Red
ZG1RHOV15	93202	Temporal horn/strobe 15 cd. Red	Z27193-16	93601	Surface mount box White
ZG1RHOV75	93204	Temporal horn/strobe 75 cd. Red	Z27193-11	93602	Surface mount box Red
ZG1R-V15	93302	Strobe 15 cd. Red			

Approvals	UL, ULC, FM, CE.	Temporal sequence	1/2sec ON, 1/2sec OFF, 1/2sec ON, 1/2sec OFF, 1/2 sec ON, 1 1/2 sec OFF.
Compatibility	All ZC systems	Flash frequency	1 Hz
Mounting	Flush with Trim plate, Surface with surface box.	Environmental:	
Wiring	Two wire	Application	Indoor installation
Terminals	2.5 mm ²	EN60529 rating	IP42
Monitoring:		Temp range	0°C to 49°C
Operating voltage	Polarised input	Humidity range	20% to 93% RH (non condensing)
Current Alarm	24 volts DC	Construction:	
	Strobe 15 cd. 58mA	Material	Self coloured engineered plastic
	Strobe 75 cd. 158mA	Dimensions:	30mm (D) x 115mm (H) x 70mm (W) (with trim plate)
	Horn (typical) 10mA	Colour	Red or White
	Horn/strobe 15 cd. 73mA	Weight	110g
	Horn/strobe 75 cd. 173 mA		
Sound output	Temporal 94 dBA (at 1 metre)		
	Continuous 102 dBA (at 1 metre)		

Ziton Ltd
 8 Newmarket Court Chippenham Drive Kingston Milton Keynes MK 10 0AQ United Kingdom
 Telephone +44 (0) 1908 281981 Fax +44 (0) 1908 282554 email zitonuk@ziton.spx.com

Ziton (Pty) Ltd
 Ziton House 555 Voortrekker Road Maitland 7405 PO Box 4965 Cape Town 8000 South Africa
 Telephone +27 (0)21 506 6000 Fax +27 (0)21 506 6100 email zitonrsa@ziton.spx.com

Copyright (c) Ziton Limited
 Ziton reserves the right to change specifications without notice in order to improve products or manufacturing methods. Although every effort is made to avoid errors, we reserve the right to correct typographical, photographic, clerical or printing errors.