

The siting of detectors in confined or concealed spaces, often results in the red indicator on the device moulding becoming obscured or hidden. In order to show clearly the state of detectors when installed in areas such as ceiling or floor voids, the Z-RL1 remote LED indicator can be wired to the detector base and installed in any prominent position.

The Z-RL1 has a high intensity red LED indicator positioned centrally on a white, circular, plastic moulding. The unit is designed to fit onto a standard recessed or surface mounting circular conduit box and is connected by flying leads to the detector base wiring. Terminals are provided in both Z6-BS and Z6-BR series bases for connection to the remote unit.



Specifications

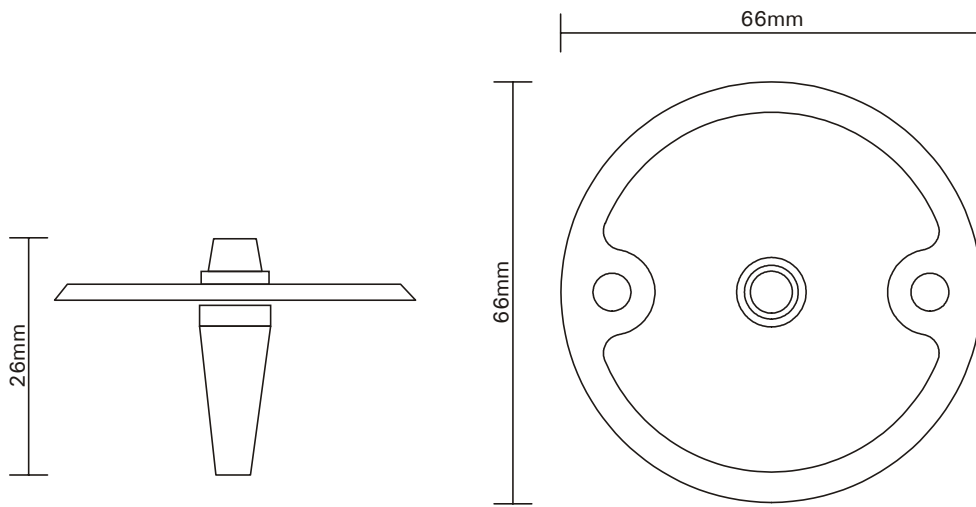
Model No.	Z-RL1
Part No.	19810
Description	Remote LED indicator - circular
Compatibility	All ZC conventional and ZP analogue systems Detector bases - Z6-BS1 Z6-BS5 Z6-BR1 Z6-BR5 ZP7-SB1 ZP7-SB1
Mounting	Standard circular conduit box
Wiring	2 wire
Monitoring:	
Operating voltage	24 volts DC
Current (alarm)	15mA typical
Indication	High intensity LED (red)
Environmental:	
Application	Indoor installation
EN60529 rating	IP32
Temp range	-20°C to +70°C
Humidity range	20% to 95% RH (non condensing)
Construction:	
Material	Moulded ABS
Dimensions	66mm (Dia) x 26mm (D) (overall)
Colour	Red LED, white moulding
Weight	32g

Z-RL1

Remote LED Unit Circular Base

- High intensity red LED indication
- Fits onto a standard conduit box
- Compatible with all ZC and ZP bases

Dimensions



Wiring Schematic

