

To comply with the recommendations of BS 5839 Pt1:1988, Code of Practice for fire detection and alarm systems in buildings, if smoke or heat detectors are removed from their bases, all remaining manual callpoints and trigger devices (even if down line of the removed detector) must remain operational.

The ZC-AEOL is an active end of line unit that connects across the out terminals of the last device on each zone circuit. It provides both head out monitoring and line continuity for all remaining devices, should detectors be removed from their bases. Incorporating an end of line resistor, the unit also monitors the zone wiring for both open and short circuit fault.

The device can be used on any conventional ZC control panel provided Z6-BS5 surface mounting or Z6-BR5 recessed detector bases, which include head out monitoring diodes, are installed. To provide full system monitoring, the end of line resistor within the unit must match the requirements of the control panel. A capacitor, supplied with the unit, must also be fitted, at the panel, across the zone output terminals of the monitored line.

The active end of line unit has a confirmation LED indicator, which is illuminated when all detector heads are present. The head out fault is indicated by the control panel as a zonal fault. Open and short circuit wiring faults are indicated by the panel in the normal way.

The ZC-AEOL unit has positive and negative flying leads, for connection to detector base terminals and a high impact plastic enclosure with all electronic components conformally coated to ensure reliability of operation.

All Ziton conventional smoke and heat detectors plug into a range of twist and lock bases. In order to prevent unauthorised removal, a site selectable option is provided to lock the detector into its base. Once applied the unit can only be removed by means of a special tool

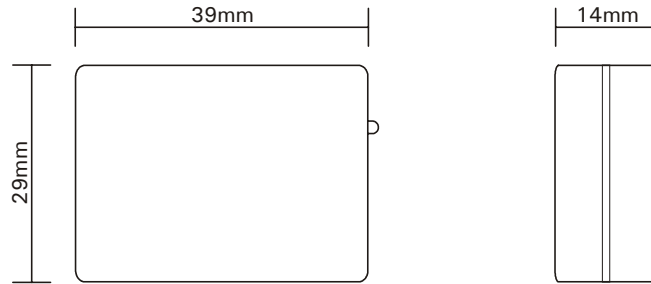


## ZC-AEOL

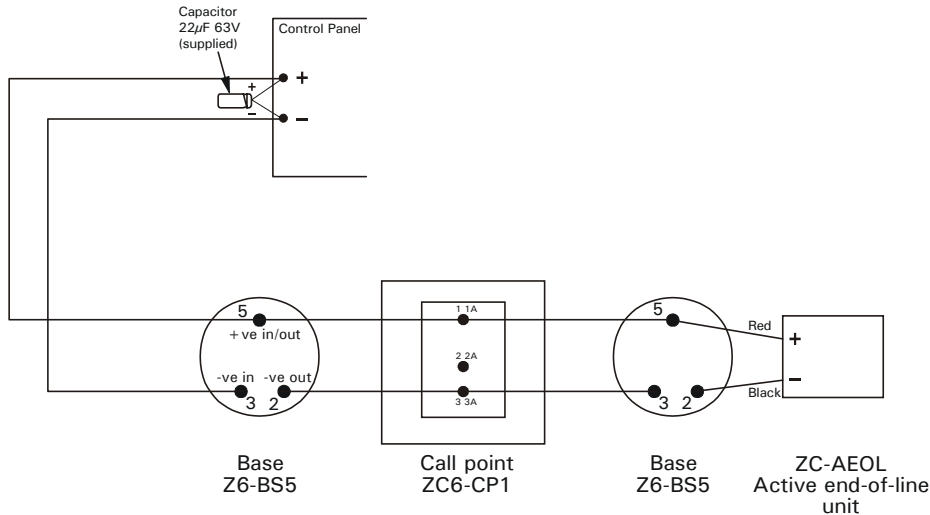
### Active End of Line Monitoring Unit

- **Head out continuity on conventional zones**
- **Compatible with all ZC conventional panels**
- **Confirmation LED indicator - illuminates when all bases are populated**

# Dimensions



# Wiring Schematic



Note: No capacitor is required when used with ZC2 panel range.

# Specifications

Model No.	Part No.	Specification	Description	Performance
ZC-AEOL 2K7 (for use with ZC4, ZC5/ZC5D panels)	27301	BS5839 Pt1:1988	Active end of line monitoring unit	BS5839 Pt1 sect 2 (6.6.2)
ZC-AEOL 3K9 (for use with ZC2, ZC3 panels)	27302			

Compatibility	All ZC conventional panels	<b>Environmental:</b>	
Mounting	Connected by flying leads	Application	Indoor use
Wiring	2 wire 22µF 63V capacitor across line at panel zone terminals ZC2 series panels do not require capacitors	EN60529 rating	IP40
<b>Monitoring:</b>		Temp range	-20°C to +70°C
BS5/BR5 bases	Open and short circuit, head out	Humidity range	20% to 95% RH (non condensing)
Indication	All heads present - Amber LED	<b>Construction:</b>	
Operating voltage	24 volts DC	Material	Moulded ABS
Current	250µA nominal - dependant on value of monitoring resistor	Dimensions	39mm (W) x 29mm (H) x 14mm (D)
		Colour	White
		Weight	12g

Ziton Ltd  
 8 Newmarket Court Chippenham Drive Kingston Milton Keynes MK 10 0AQ United Kingdom  
 Telephone +44 (0) 1908 281981 Fax +44 (0) 1908 282554 email zitonuk@ziton.spx.com  
 Ziton (Pty) Ltd  
 Ziton House 555 Voortrekker Road Maitland 7405 PO Box 4965 Cape Town 8000 South Africa  
 Telephone +27 (0)21 506 6000 Fax +27 (0)21 506 6100 email zitonsa@ziton.spx.com

Copyright (c) Ziton Limited  
 Ziton reserves the right to change specifications without notice in order to improve products or manufacturing methods. Although every effort is made to avoid errors, we reserve the right to correct typographical, photographic, clerical or printing errors.