

The ZC6-CP2 is a conventional callpoint of rugged construction, providing a manual means of initiating a fire alarm.

Designed to meet fully the requirements of EN54 Part 11, the unit is suitable for use in all systems types both in the protection of life or property.

Applying finger pressure, to a choice of either, a traditional frangible glass, or to a resettable, plastic element operates the unit. The latter option includes a prominent alarm flag to indicate that the callpoint has been operated. All glass elements feature a protective, clear vinyl coating on the front surface to prevent operator injury and to inhibit the release of loose fragments, as the glass is broken.

ZC6-CP2 callpoints are designed for either surface mounting using the matching back box provided, or semi recessed fixing, by means of a standard single gang flush fixing box. A full range of spacers and bezels is available to adjust the depth of the unit to assist wiring termination, or to conceal rough edged plaster around flush fixed boxes.

System testing is carried out by using a special test key which is supplied with the unit. The key is simply inserted into a slot provided in the base of the callpoint moulding.

The key is also used to open the clip retained front cover. The front plate screwless fastening, greatly reduces installation time whilst providing added security once the unit is in operation.

Rated at IP42 the ZC6-CP2 moulding is constructed of ABS plastic and intended for indoor applications.

For locations where malicious operation or accidental impact from flying objects may occur (for example sports halls), the operation of the unit can be restricted by the addition of a hinged, clear polycarbonate, front cover, which can be further protected by a breakable cover seal. In use the seal must be broken, prior to raising the cover.

The ZC6-CP2 manual callpoint is part of the Ziton ZC600 range of conventional trigger devices.

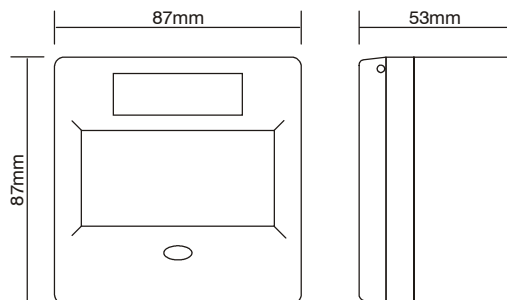


ZC6-CP2

Manual Callpoint

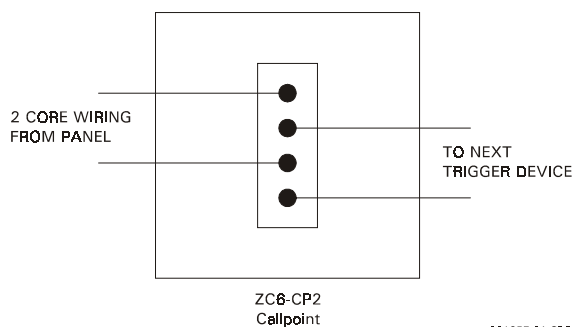
- **Complies with EN54 Part 11**
- **System test facility via test key**
- **Clip retained front cover**
- **Glass or resettable plastic element**
- **Operated by finger pressure**

Dimensions



[991186-01.cdr]

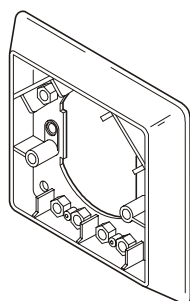
Wiring Schematic



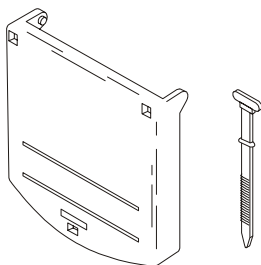
ZC6-CP2
Callpoint

991357-01.CDR

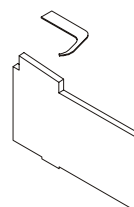
Accessories



Bezel (CXBZ/O)



Clear Hinged Flap
and Breakable Seal
(CXPC/T1)



Re-settable Plastic Element
(CX/P/KIT)

[991185-01.cdr]

Specifications



Model No.	Part No.	Description
ZC6-CP2S	93701	Manual callpoint surface
ZC6-CP2R	93801	Manual callpoint recessed
CXBZ/O	94101	Bezel
CXPC/T1	94301	Clear hinged flap and breakable seal
CX/P/KIT	94401	Re-settable plastic element (Pk of 10)
CXG	94201	Spare glasses (Pk of 10)

Compatibility	All ZC conventional systems	Environmental:	
Mounting	Recessed or surface with back box	Application	Indoor installation
Wiring	4-way terminal block (in and out terminals for each connector)	EN60529 rating	IP42
		Temp range	-40°C to +85°C
		Humidity range	95% RH @ 40°C
Monitoring:	Open and short circuit faults via internal 470 ohm resistor.	Construction:	
Operating voltage	24 volts dc	Material	Moulded ABS
Contacts	Normally open	Dimensions:	
Contact rating	3A at 24volt dc	Recessed	87mm(H) x 87mm(W) x 20mm(D) (without cover)
		Surface	87mm(H) x 87mm(W) x 53mm(D) (without cover)
		Colour	Red to ISO 3864
		Weight	190g

Ziton Ltd
 8 Newmarket Court Chippenham Drive Kingston Milton Keynes MK 10 0AQ United Kingdom
 Telephone +44 (0) 1908 281981 Fax +44 (0) 1908 282554 email zitonuk@ziton.spx.com

Ziton (Pty) Ltd
 Ziton House 555 Voortrekker Road Maitland 7405 PO Box 4965 Cape Town 8000 South Africa
 Telephone +27 (0)21 506 6000 Fax +27 (0)21 506 6100 email zitonza@ziton.spx.com

Copyright (c) Ziton Limited
 Ziton reserves the right to change specifications without notice in order to improve products or manufacturing methods. Although every effort is made to avoid errors, we reserve the right to correct typographical, photographic, clerical or printing errors.