

The ZC6-CPN1 is a waterproof, surface mounting, call point, providing a manual means of initiating a fire alarm. Rated at IP 67, the unit is designed for outdoor use, or applications where the ingress of water can be expected, for example where hygiene requirements demand regular washing or hosing down of the protected area.

Complying with BS 5839 Part 2 and pr EN 54 Part 11, the ZC6-CPN1 is approved by several international approval bodies.

The call point is intended to provide a rugged, reliable means of initiating a fire alarm and can be particularly useful where a manual means of activation, has to be provided outdoors. The enclosure is constructed of red high impact plastic, clearly labelled fire.

By breaking a frangible glass element, an internal micro switch is released, to move from an open, to a closed circuit position. Operated by finger pressure, the glass has a protective clear vinyl coating on the front surface to prevent operator injury and to inhibit the release of loose fragments as the glass is broken.

System testing is carried out by using a special test key which is supplied with the unit. By inserting the key into a slot in the base of the call point moulding, the glass element drops allowing the micro switch to operate.

For locations where accidental or malicious use may occur, the operation of the unit can be restricted by the addition of a hinged, clear polycarbonate, front cover (Z-CPC-1). For further protection the cover can be secured by a breakable seal (Z-CC-2). In use the seal must be broken, prior to raising the cover.

The ZC6- CPN1 manual call point is part of the Ziton ZC600 range of conventional trigger devices.

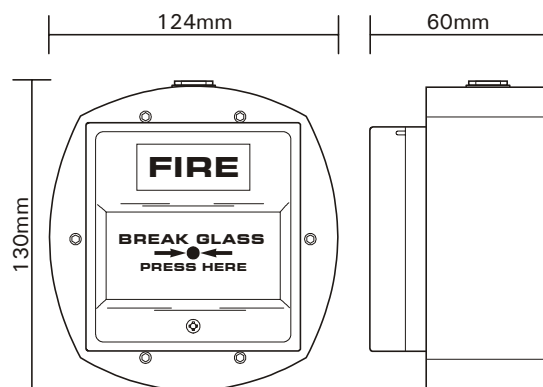


ZC6-CPN1

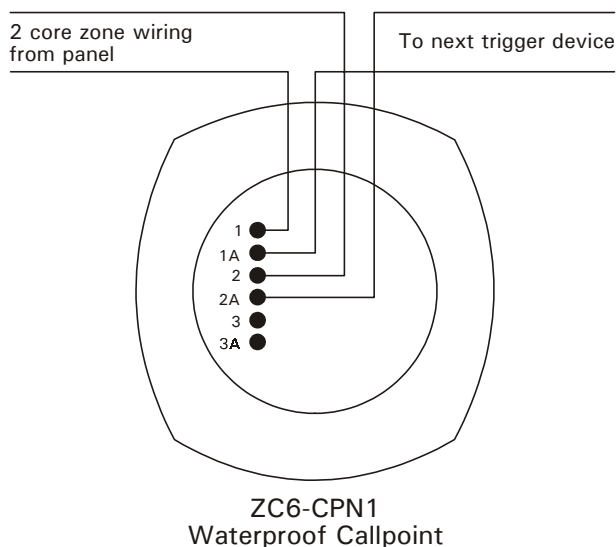
Conventional Waterproof Callpoint

- **IP 67 rating**
- **Complies with BS 5839 Part 2 and pr EN 54 Part 11**
- **System test facility via test key**
- **Operated by finger pressure**

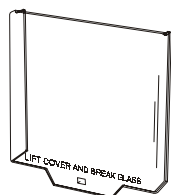
Dimensions



Wiring Schematic



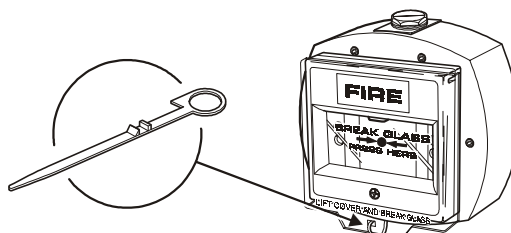
Accessories



Z-CPC-1 Protective cover



Z-CPG-1 Spare glasses (5)



Z-CCS-2 Breakable cover seal

Specifications



Model No.	Part No.	Specification	Description
ZC6-CPN1	18810	BS 5839 Pt2, EN54 Pt11	Conventional callpoint waterproof

Compatibility	All ZC conventional systems
Mounting	Surface
Wiring	2 wire

Monitoring:	
	Open and short circuit faults
Operating voltage	24 volts DC
Contact rating	8A at 30 Vdc (resistive)

Environmental:	
Application	Indoor or outdoor installation

Environmental:	
EN60529 rating	IP67
Temp range	-20°C to +70°C

Construction:	
Material	Moulded ABS
Dimensions	130mm (H) x 124mm (W) x 60 (D)
Colour	Red
Weight	400g

Ziton Ltd
 8 Newmarket Court Chippenham Drive Kingston Milton Keynes MK 10 0AQ United Kingdom
 Telephone +44 (0) 1908 281981 Fax +44 (0) 1908 282554 email ziton.uk@ziton.com

Ziton (Pty) Ltd
 Ziton House 555 Voortrekker Road Maitland 7405 PO Box 4965 Cape Town 8000 South Africa
 Telephone +27 (0)21 506 6000 Fax +27 (0)21 506 6100 email ziton.sa@ziton.com

Copyright (c) Ziton Limited
 Ziton reserves the right to change specifications without notice in order to improve products or manufacturing methods. Although every effort is made to avoid errors, we reserve the right to correct typographical, photographic, clerical or printing errors.