

The ZF-MES1 is a low profile alarm sounder, developed for general purpose use in fire detection and alarm systems. It is aesthetically designed, offering a high sound output with low current consumption, allowing where required substantial numbers of sounders to be driven by relatively small control panels.

Easy to install, the sounder features an attractive high impact ABS plastic enclosure, available in either red or white, and is installed using a range of deep or shallow, plug in bases. Units are polarised for system monitoring and provided with both in and out wiring terminals.

Sound output features a sweep tone between 800 and 970 Hz complying with the recommendations of BS 5839 Pt 1 together with a second tone, continuous at 970 Hz. First or second alarm tones are selected on site by a switch setting, located in the base of the sounder, (for tone selection see product installation instructions). Terminals are provided to enable the second tone to be switched remotely.

The ZF-MES1 is synchronised on start up, ensuring that in sweep tone mode, frequencies are swept together by all sounders, thereby eliminating 'dead spots' around the building, where adjacent sounder frequencies may be cancelled out.

For flush wiring indoors, the ZF-MES1 can be installed cost effectively using the shallow base. Where wiring is surface clipped (especially in MICC) or in conduit, the deep base option allows space for either wiring glands or conduit entry.

Featuring a sound output of 100 dBA at 1 metre, with a current consumption of only 16mA, the sounder is intended for general use in a wide range of buildings and includes a volume control for areas where a reduced sound output is required. The control can be set to limit the sound output by up to 75% of the full volume.

All electronics are encapsulated, making the sounder suitable for both commercial and industrial environments. When installed with the deep base, the ZF-MES1 is rated at IP65 making it suitable for outdoor use.

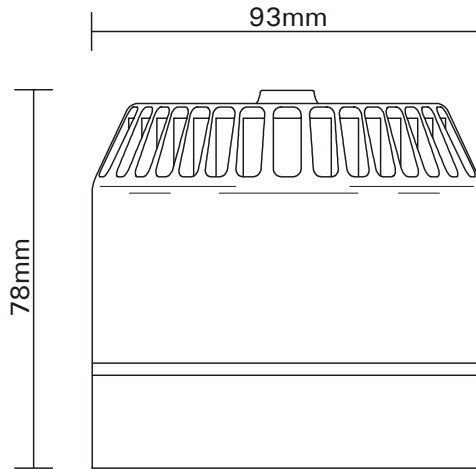


ZF-MES1

Conventional Electronic Sounder

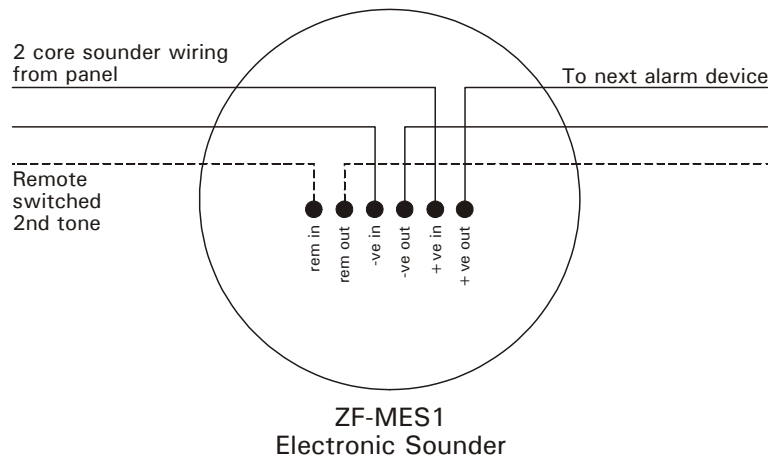
- **High sound output with low current consumption**
- **Low profile enclosure**
- **Second tone for two stage alarms**
- **Volume control**
- **Synchronised for sweep tone**

Dimensions



Note: Dimensions shown with shallow base.

Wiring Schematic



Specifications



Model No.	Part No.	Description	Sound Output	
ZF-MES1-RD	32401	Red with deep base	Electronic sounder	100dBA at 1m (sweep tone)
ZF-MES1-WD	77101	White with deep base		
ZF-MES1-RS	14900	Red with shallow base		
ZF-MES1-WS	39901	White with shallow base		

Compatibility	All ZC and ZP conventional sounder circuits	Environmental:	
Mounting	Plug in deep or shallow base	Temp range	-25°C to +80°C
Wiring	2 wire	Construction:	
Monitoring:		Material	Moulded ABS
	Polarised input	Dimensions	93mm (Dia) x 93mm (H) (with deep base) 93mm (Dia) x 78mm (H) (with shallow base)
Operating voltage	24 volts DC	Colour	Red or white
Current (alarm)	16mA	Weight	260g (with deep base) 240g (with shallow base)
Environmental:			
Application	Indoors or outdoors with deep base		
EN60529 rating	With deep base IP65 With shallow base IP54		

Ziton Ltd
8 Newmarket Court Chippenham Drive Kingston Milton Keynes MK 10 0AQ United Kingdom
Telephone +44 (0) 1908 281981 Fax +44 (0) 1908 282554 email zitonuk@ziton.spx.com
Ziton (Pty) Ltd
Ziton House 555 Voortrekker Road Maitland 7405 PO Box 4965 Cape Town 8000 South Africa
Telephone +27 (0)21 506 6000 Fax +27 (0)21 506 6100 email zitonza@ziton.spx.com

Copyright (c) Ziton Limited
Ziton reserves the right to change specifications without notice in order to improve products or manufacturing methods. Although every effort is made to avoid errors, we reserve the right to correct typographical, photographic, clerical or printing errors.

PS 501.1225, issue 01, Published 01 February 2000

Comsec Protection Systems Ltd., Unit 26, Stadium Business Park, Ballycoolin Road, Dublin 11
PHONE: (01) 8853008 - FAX: +353 (01) 8853007 EMAIL: info@comsec.ie - WEB: http://www.comsec.ie