

Designed to compliment audible alarms, the ZF-XB1 range of xenon beacons provides high intensity, visual signals for applications where alarm sounders alone would prove to be ineffective, or inappropriate for evacuating occupied premises.

In systems where high levels of background noise prohibit the use of audible alarms, residential establishments with occupants who may be infirmed or hard of hearing or manufacturing areas where intense industrial noise demands the use of ear protection, the visual indication of alarms may become necessary.

Featuring high intensity light output, with a current consumption of 40mA, the ZF-XB1 range of xenon beacons has the same low profile as Ziton electronic sounders, and is designed to provide an integrated product option.

A flash frequency of 1 second ensures a distinct alarm pattern. All units include surge current suppression circuitry, eliminating the need in most systems for large power supplies, often associated with xenon beacons.

Easy to install, the beacon features a low profile diffusing lens, available in red, white or clear high impact plastic and is fixed using a range of deep or shallow plug in bases. For flush wiring indoors, the ZF-XB1 can be installed cost effectively using the shallow base. Where wiring is surface clipped (especially in MICC) or in conduit, the deep base option allows space for either wiring glands or conduit entry.

Units can be connected on the same wiring circuits as alarm sounders, they are polarised for system monitoring and provided with both in and out wiring terminals.

All electronics are encapsulated, making the beacon suitable for both commercial and industrial environments. When installed with the deep base, the ZF-XB1 is rated at IP65 making it suitable for outdoor use.

The ZF-XB1 is part of the comprehensive range of Ziton conventional alarm devices.



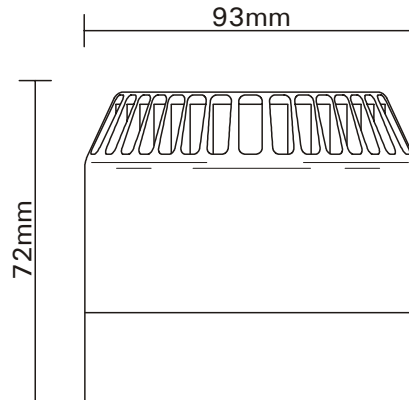
## ZF-XB1

---

### Xenon Beacon

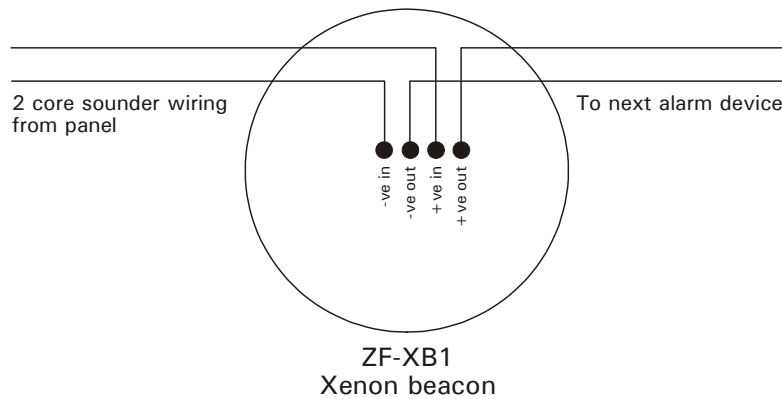
- **High intensity light output**
- **Low profile lens**
- **No, switch on, current surge**
- **Choice of red, amber or clear lens**
- **Range of twist and lock bases**

# Dimensions



Note: Dimensions shown with shallow base.

# Wiring Schematic



# Specifications



Model No.	Part No.	Description
ZF-XB1 - CS	30801 - clear lens shallow base	Xenon beacon conventional
ZF-XB1 - AS	30901 - amber lens shallow base	
ZF-XB1 - RS	31001 - red lens shallow base	
ZF-XB1 - CD	30802 - clear lens deep base	
ZF-XB1 - AD	30902 - amber lens deep base	
ZF-XB1 - RD	31002 - red lens deep base	

Compatibility	All ZC and ZP systems	<b>Environmental:</b>	
Mounting	Plugs into deep or shallow base	Temp range	-20°C to +55°C
Wiring	2 wire	<b>Construction:</b>	
<b>Monitoring:</b>		Material	Lens - polycarbonate Base - moulded ABS
Operating voltage	24 volts DC	Dimensions	93mm (Dia) x 100mm (H) (with deep base) 93mm (Dia) x 72mm (H) (with shallow base)
Current (alarm)	40mA (average)	Colour	Red, amber and clear
<b>Environmental:</b>		Weight	250g (with deep base) 230g (with shallow base)
Application	Indoors or outdoors with deep base		
EN60529 rating	with deep base IP65 with shallow base IP54		

Ziton Ltd  
8 Newmarket Court Chippenham Drive Kingston Milton Keynes MK 10 0AQ United Kingdom  
Telephone +44 (0) 1908 281981 Fax +44 (0) 1908 282554 email ziton.uk@ziton.com

Ziton (Pty) Ltd  
Ziton House 555 Voortrekker Road Maitland 7405 PO Box 4965 Cape Town 8000 South Africa  
Telephone +27 (0)21 506 6000 Fax +27 (0)21 506 6100 email ziton.sa@ziton.com

Copyright (c) Ziton Limited  
Ziton reserves the right to change specifications without notice in order to improve products or manufacturing methods. Although every effort is made to avoid errors, we reserve the right to correct typographical, photographic, clerical or printing errors.

PS 013.1230, issue 01, Published 09 February 2000

Comsec Protection Systems Ltd., Unit 26, Stadium Business Park, Ballycoolin Road, Dublin 11  
PHONE: (01) 8853008 - FAX: +353 (01) 8853007 EMAIL: info@comsec.ie - WEB: http://www.comsec.ie