

Developed for use in systems where audible alarms alone would be impractical, for example areas with high levels of background noise, residential establishments with occupants who may be infirmed or hard of hearing or manufacturing locations where intense industrial noise demands the use of ear protection, the ZF-XBS1 provides both audible and visual warning from a single unit.

Featuring a combination of outputs the ZF-XBS1, can minimise the number of installation points required throughout a building, significantly lowering both the capital value of equipment and the wiring costs of the completed system.

Elegantly styled the unit offers an electronic sounder providing an output of 101 dBA at 1 metre, together with a high intensity xenon beacon. The visual element with a flash frequency of 1 second is neatly integrated into the front of the sounder moulding. Average current consumption for the device is 68 mA.

Sound output features a sweep tone between 800 and 970 Hz complying with the recommendations of BS 5839 Pt 1 together with a second tone, continuous at 970 Hz. First or second alarm tones are selected on site by a switch setting, located in the base of the sounder.

The sound output of the ZF-XBS1 is synchronised on start up, ensuring that in sweep tone mode, sounder frequencies are swept together by all devices, thereby eliminating 'dead spots' around the building, where adjacent sounder frequencies may be cancelled out.

Units are installed using a range of deep or shallow plug in bases. For flush wiring indoors, the sounder beacon can be installed cost effectively using the shallow base. Where wiring is surface clipped (especially in MICC) or in conduit, the deep base option allows space for either wiring glands or conduit entry.

A volume control can be set to reduce the sound output by up to 75% of the full volume. All electronics are encapsulated, giving the ZF-MES1 an IP65 rating, when installed using the deep base.

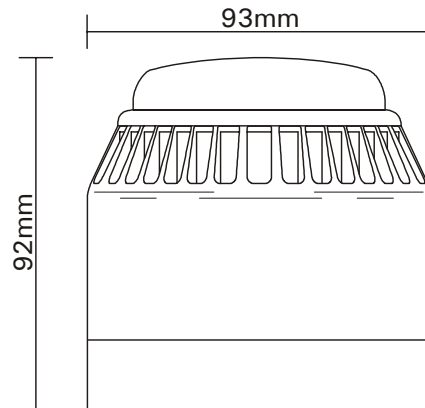


ZF-XBS1

Combined Electronic Beacon Sounder

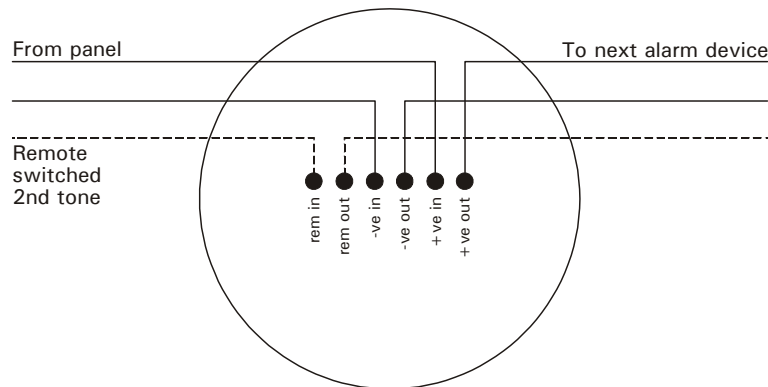
- **Combined sounder beacon**
- **High intensity light output**
- **Reduces installation points to a minimum**
- **Synchronised for sweep tone**

Dimensions



Note: Dimensions shown with shallow base.

Wiring Schematic



ZF-XBS1 Combined sounder beacon

Specifications



Model No.	Part No.	Description
ZF-XBS1-WRS	76601 - white body, red lens, shallow base	Combined beacon sounder
ZF-XBS1-RRS	76602 - red body, red lens, shallow base	
ZF-XBS1-WRD	76603 - white body, red lens, deep base	
ZF-XBS1-RRD	76604 - red body, red lens, deep base	

Compatibility	All ZC and ZP systems	Environmental:	
Mounting	Plugs into deep or shallow base	Temp range	-10°C to +55°C
Wiring	2 wire, extra core required for remote switching of 2nd tone.	Construction:	
Monitoring:		Material	Moulded ABS with polycarbonate lens
Operating voltage	Polarised input	Dimensions	93mm (D) x 121mm (H) (with deep base) 93mm (D) x 92mm (H) (with shallow base)
Current (alarm)	24 volts DC	Colour	Moulded red or white, lens red
Environmental:	68mA (average)	Weight	300g (with shallow base) 330g (with deep base)
Application	Indoors or outdoors with deep base		
EN60529 rating	with deep base IP65 with shallow base IP 54		

Ziton Ltd
8 Newmarket Court Chippenham Drive Kingston Milton Keynes MK 10 0AQ United Kingdom
Telephone +44 (0) 1908 281981 Fax +44 (0) 1908 282554 email ziton.uk@ziton.com

Ziton (Pty) Ltd
Ziton House 555 Voortrekker Road Maitland 7405 PO Box 4965 Cape Town 8000 South Africa
Telephone +27 (0)21 506 6000 Fax +27 (0)21 506 6100 email ziton.sa@ziton.com

Copyright (c) Ziton Limited
Ziton reserves the right to change specifications without notice in order to improve products or manufacturing methods. Although every effort is made to avoid errors, we reserve the right to correct typographical, photographic, clerical or printing errors.

PS 013.1231, issue 01, Published 09 February 2000

Comsec Protection Systems Ltd., Unit 26, Stadium Business Park, Ballycoolin Road, Dublin 11
PHONE: (01) 8853008 - FAX: +353 (01) 8853007 EMAIL: info@comsec.ie - WEB: http://www.comsec.ie