

Based on advanced thermistor technology, the Z620 series of heat detectors, provides a reliable response to fires in areas where environmental conditions prohibit the use of smoke detection.

Z620-581 is a fixed temperature model, operating at 58°C. It is intended for applications where fluctuations of ambient temperature may be expected for example, over machinery in laundries, or factory locations where industrial processes may cause sharp temperature increases.

Z620-582 operates on the rate of rise of its ambient temperature. To increase response time, without compromising reliability, a rate compensation element enables the detector to become more sensitive to higher rates of temperature rise. Applications include general use in areas where smoke detection would be likely to produce false alarms, for example in kitchens and shower rooms.

Z620-821 is a high temperature detector suitable for use where ambient temperatures may consistently be greater than normal, for example boiler rooms and certain food processing installations. The detector is set to operate at 82°C

The Z620-581 and Z620-582 detectors meet the requirements of EN 54 Part 5 with sensitivity to grade 2 and grade 1 respectively. The high temperature version complies with EN 54 part 8 with a range 1 sensitivity.

Low profile moulding and options of either surface or recessed bases make the units ideal for both modern commercial and industrial interiors, featuring solid or suspended ceilings. A high intensity, red LED indicator on the detector moulding provides clear indication when the unit is in alarm.

For ease of removal, Z620 detectors plug into a range of base units. In order to prevent unauthorised removal, a site selectable option is provided to lock the detector into its base. Once applied the unit can only be removed by means of a special tool.

All Z620 detectors feature head out monitoring. Should a detector remain removed from its base, in addition to giving a fault signal, all devices down line of the removed unit continue to function normally.

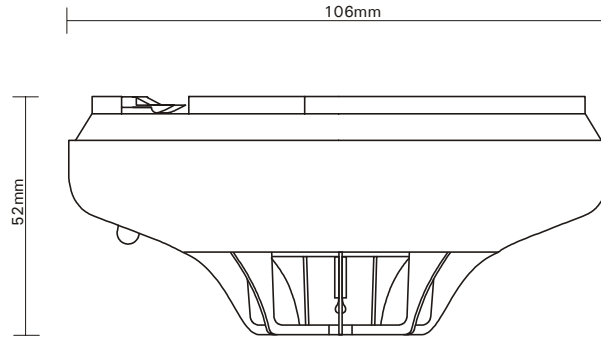


## Z620

### Conventional Heat Detector

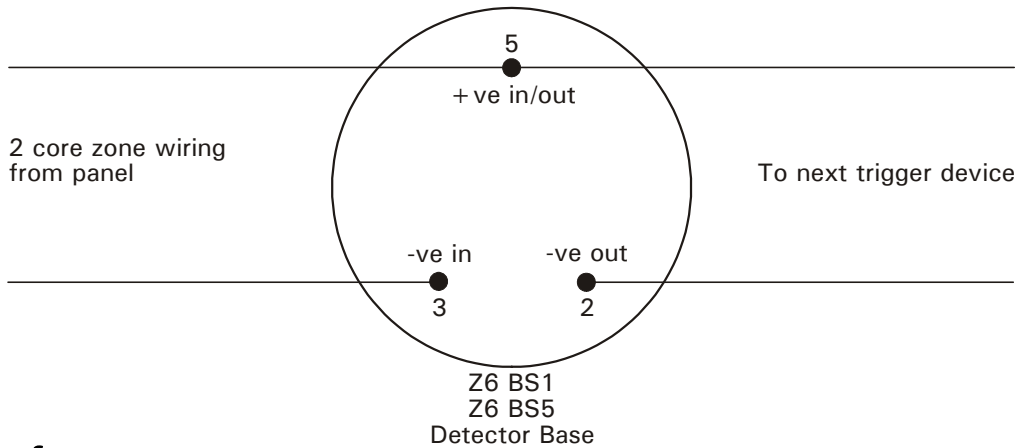
- **Complies with EN 54 Parts 5 and 8**
- **Low profile conventional design**
- **Head out continuity - all connected devices remain operational even with heads removed**
- **Range of bases**
- **Plug in base with automatic locking**

## Dimensions



Note: Dimensions shown without base.

## Wiring Schematic



## Specifications



Model No.	Part No.	Specification	Operating temp	Performance
Z620-582-2	81101	EN54 Pt5	58°C (rate compensated)	Grade 1
Z620-582-1	28701	EN54 Pt5	58°C (rate of rise)	Grade 1
Z620-581-1	19301	EN54 Pt5	58°C (fixed temperature)	Grade 2
Z620-821	28801	EN54 Pt8	82°C (fixed temperature)	Range 1

Compatibility	All ZC conventional systems	<b>Environmental:</b>	
Mounting	Plugs into surface or semi recessed base	Application	Indoor use
Area coverage	Up to 50m <sup>2</sup> , subject to local codes	EN60529 rating	IP32
Wiring	2 wire zonal		IP55 (Z620-582-2 only)
<b>Monitoring:</b>		Temp range	-20°C to 15°C below temp rating
Z6-BS1	Open and short circuit by end of line resistor	Humidity range	20% to 95% RH (non condensing)
Z6-BS5	Open and short circuit and head out by active end of line unit (ZC-AEOL)		20% to 100% RH (Z620-582-2 only)
Indication	Alarm LED (red)	EMC	CE marked (EEC89/336)
Operating voltage	15 - 30 volts DC	<b>Construction:</b>	
Current (quiescent)	<60µA	Material	Moulded ABS
Current (alarm)	Max. 50mA (limited by panel)	Dimensions	106mm (Dia) x 52mm (H) (excluding base)
		Height	From ceiling with base:
			BS1/BS5 surface base - 60mm
			BR1/BR5 recessed based - 38mm
		Colour	White
		Weight	82g (without base)

Ziton Ltd  
8 Newmarket Court Chippenham Drive Kingston Milton Keynes MK 10 0AQ United Kingdom  
Telephone +44 (0) 1908 281981 Fax +44 (0) 1908 282554 email zitonuk@ziton.spx.com  
Ziton (Pty) Ltd  
Ziton House 555 Voortrekker Road Maitland 7405 PO Box 4965 Cape Town 8000 South Africa  
Telephone +27 (0)21 506 6000 Fax +27 (0)21 506 6100 email zitonsa@ziton.spx.com

Copyright (c) Ziton Limited  
Ziton reserves the right to change specifications without notice in order to improve products or manufacturing methods. Although every effort is made to avoid errors, we reserve the right to correct typographical, photographic, clerical or printing errors.