

Based on advanced thermistor technology, the Z620 series of heat detectors, provides a reliable response to fires in areas where environmental conditions prohibit the use of smoke detection.

The Z620U-622-2 has a static alarm threshold of 135°F (58°C) and operates on the rate of rise of its ambient temperature. To increase response time, without compromising reliability, a rate compensation element enables the detector to become more sensitive to higher rates of temperature rise. Applications include general use in areas where smoke detection would be likely to produce false alarms, for example in kitchens and shower rooms.

The Z620U-622-2 detectors meet the requirements of UL268 with 70 ft spacing.

Low profile moulding and options of either surface or recessed bases make the units ideal for both modern commercial and industrial interiors, featuring solid or suspended ceilings. A high intensity, red LED indicator on the detector moulding provides clear indication when the unit is in alarm.

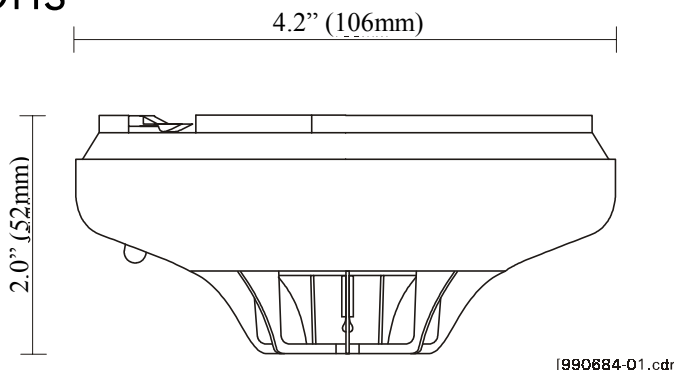
For ease of removal, Z620 detectors plug into the Z6U range of base units. In order to prevent unauthorised removal, a site selectable option is provided to lock the detector into its base. Once applied the unit can only be removed by means of a special tool.



## Z620U-622-2 Conventional Heat Detector (Rate of Rise)

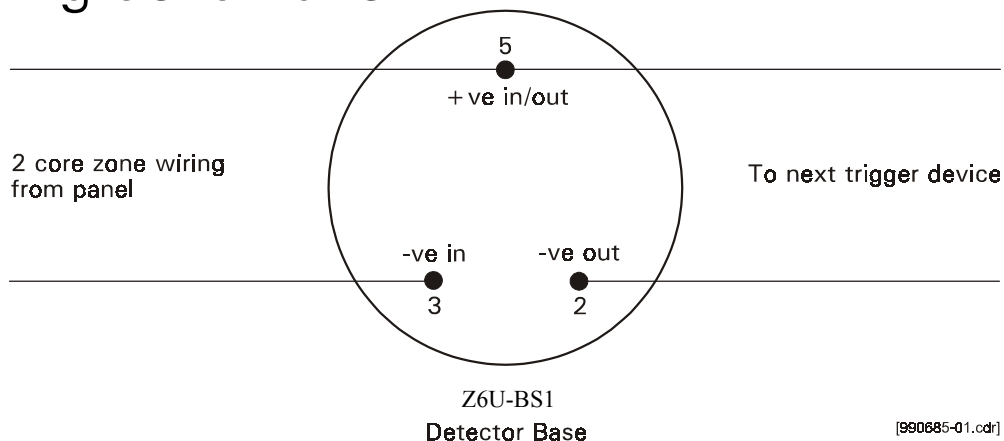
- **UL approved**
- **Complies with UL 268 - 70 ft (21.3m) spacing**
- **Low profile conventional design**
- **Plug in base with automatic locking**

## Dimensions



Note: Dimensions shown without base.

## Wiring Schematic



## Specifications

Model No.	Part No.	Specification	Description
Z620U-622-2	85401	UL 268	Conventional Heat Detector (Rate of rise)
Approval	UL	<b>Environmental:</b>	
Compatibility	As per listed conventional panels	Application	Indoor use
Mounting	Plugs into surface or semi recessed base	EN60529 rating	IP32
Area coverage	Up to 70 ft spacing (21.3 m )	Temp range	+32°F to +120°F (0°C to 58°C )
Wiring	2 wire zonal	Humidity range	20% to 95% RH (non condensing)
<b>Monitoring:</b>		<b>Construction:</b>	
Z6U-BS1	Open and short circuit by end of line resistor	Material	White moulded high impact fire retardant plastic.
Indication	Alarm LED (red)	Dimensions	4.2" (106mm) Dia x 2.0" (52mm) H (excluding base)
Operating voltage	15 - 30 volts DC	Height	From ceiling with surface base: 2.4" (60mm)
Current (quiescent)	<60µA	Colour	White
Current (alarm)	Max. 50mA (limited by panel)	Weight	2.9 oz (82g) (without base)

Ziton Ltd  
 8 Newmarket Court Chippenham Drive Kingston Milton Keynes MK 10 0AQ United Kingdom  
 Telephone +44 (0) 1908 281981 Fax +44 (0) 1908 282554 email zitonuk@ziton.spx.com

Ziton (Pty) Ltd  
 Ziton House 555 Voortrekker Road Maitland 7405 PO Box 4965 Cape Town 8000 South Africa  
 Telephone +27 (0)21 506 6000 Fax +27 (0)21 506 6100 email zitonza@ziton.spx.com

Copyright (c) Ziton Limited  
 Ziton reserves the right to change specifications without notice in order to improve products or manufacturing methods. Although every effort is made to avoid errors, we reserve the right to correct typographical, photographic, clerical or printing errors.

PS 501.1425, issue 01, Published 9 October 2001

Comsec Protection Systems Ltd., Unit 26, Stadium Business Park, Ballycoolin Road, Dublin 11  
 PHONE: (01) 8853008 - FAX: +353 (01) 8853007 EMAIL: info@comsec.ie - WEB: http://www.comsec.ie