

Designed to provide an early response to a wide range of slow burning, smouldering fires the Z630-1 optical smoke detector, provides reliable sensing for most conventional fire alarm applications. The detectors aesthetic design and proven stability in air movements associated with air conditioning systems, have made it an ideal selection for modern building interiors.

The Z630-1 meets fully the sensitivity requirements of European Standard EN 54 Pt 7 and is approved by several international approval bodies.

The detector operates on the light scatter principle, making it effective in applications where fires producing large particle smoke can be expected.

Great care has been taken to provide a detector that whilst reliable in operation is unobtrusive when installed. The low profile moulding and options of either surface or recessed bases makes the unit ideal for both modern commercial and industrial interiors, featuring solid or suspended ceilings. A high intensity, red LED indicator situated on the detector moulding provides clear indication when the unit is in alarm.

For ease of removal, Z630-1 detectors plug into a range of base units by a simple twist and lock action. In order to prevent unauthorised removal, a site selectable option is provided to lock the detector into its base. Once applied the unit can only be removed by means of a special tool.

All Z630-1 detectors can be monitored for detector removal by any conventional Ziton control panel. When a detector (or detectors) is removed from its base, the panel gives a fault signal.

To ensure operational reliability all Z630-1 detectors have mouldings constructed of ABS plastic, feature surface mount technology with all components conformally coated, to seal against dust and moisture.

The Z630-1 optical smoke detector is part of the Ziton Z600 range of conventional trigger devices.

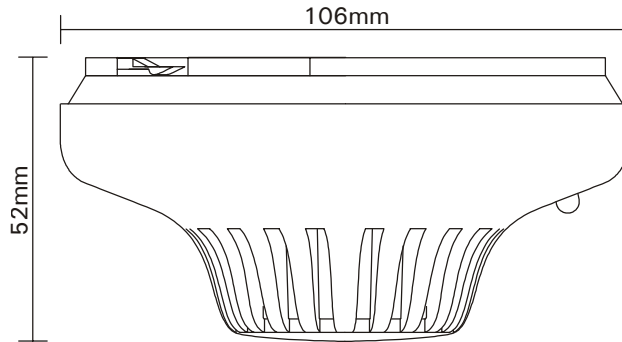


Z630-1

Conventional Optical Smoke Detector

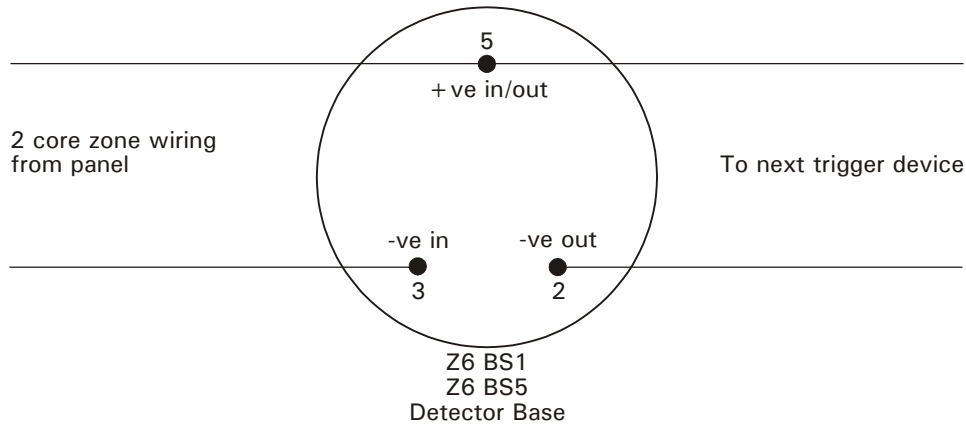
- **Complies with EN 54 Part 7**
- **Low profile conventional design**
- **Head out continuity - all connected devices remain operational even with heads removed**
- **Range of surface and recessed bases**
- **Plug in base with automatic locking**

Dimensions



Note: Dimensions shown without base.

Wiring Schematic



Specifications



Model No.	Part No.	Specification	Description	Sensitivity
Z630-1	19401	EN54 P17	Optical smoke detector	0.1 dB/m

Compatibility	All ZC conventional systems	Environmental:	
Mounting	Plugs into surface or semi recessed base	Application	Indoor use
Area coverage	100m ² , subject to local codes	EN60529 rating	IP32
Wiring	2 wire zonal	Temp range	-20°C to +60°C
Monitoring:		Humidity range	20% to 95% RH (non condensing)
Z6-BS1/BR1	Open and short circuit by end of line resistor	EMC	CE marked (EEC89/336)
Z6-BS5/BR5	Open and short circuit and head out by active end of line unit (ZC-AEOL)	Construction:	
Indication	Alarm LED (red)	Material	Moulded ABS
Detection principle	Photo electric light scatter	Dimensions	106mm (Dia) x 52mm (H) (excluding base)
Operating voltage	15 - 30 volts DC	Height	From ceiling with base:
Current (quiescent)	<60µA		BS1/BS5 surface base - 60mm
Current (alarm)	Max. 50mA (limited by panel)		BR1/BR5 recessed based - 38mm
		Colour	White
		Weight	100g (without base)

Ziton Ltd
 8 Newmarket Court Chippenham Drive Kingston Milton Keynes MK 10 0AQ United Kingdom
 Telephone +44 (0) 1908 281981 Fax +44 (0) 1908 282554 email zitonuk@ziton.spx.com

Ziton (Pty) Ltd
 Ziton House 555 Voortrekker Road Maitland 7405 PO Box 4965 Cape Town 8000 South Africa
 Telephone +27 (0)21 506 6000 Fax +27 (0)21 506 6100 email zitonsa@ziton.spx.com

Copyright (c) Ziton Limited
 Ziton reserves the right to change specifications without notice in order to improve products or manufacturing methods. Although every effort is made to avoid errors, we reserve the right to correct typographical, photographic, clerical or printing errors.