

Designed to provide an early response to slow burning, smouldering fires, the Z630A-1 optical detector provides reliable sensing for most conventional fire alarm applications. The detectors adjustable sensitivity, makes it ideal for areas where smoke particles may be intermittently present.

Three sensitivity levels are site selectable, via jumper switch settings located in the base plate of the unit. This allows detector response to be matched to a range of environmental requirements.

The lowest sensitive setting accommodates applications where some air pollution may be present due to industrial processes, or cigarette smoke, whilst the highest may be used in clean air installations, for example computer rooms.

At all three settings, the Z630A-1 meets fully the sensitivity requirements of European Standard EN 54 Part 7. The detector is approved by several international approval bodies.

The detector operates on the light scatter principle, making it effective in applications where fires producing large particle smoke can be expected.

Great care has been taken to provide a detector that whilst effective in operation is unobtrusive when installed. The low profile moulding and options of either surface or recessed bases make the unit ideal for both modern commercial and industrial interiors, featuring solid or suspended ceilings.

For ease of removal, Z630A-1 detectors plug into a range of base units by, a simple twist and lock action.

The unit can be monitored for detector removal if using the appropriate base and active end-of-line unit, by any conventional ZC control panel. When a detector (or detectors) is removed from its base, in addition to giving a fault signal, all devices down line of the removed unit (or units) continue to function normally.

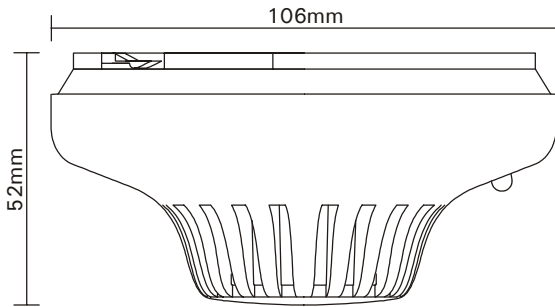


## Z630A-1

### Conventional Optical Smoke Detector - Adjustable Sensitivity

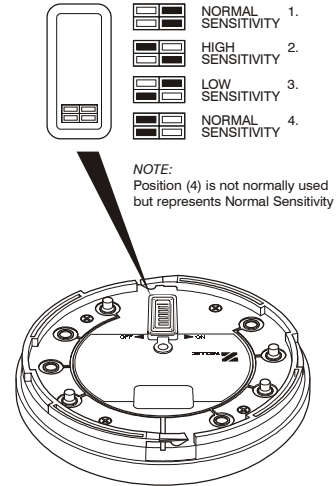
- **Adjustable sensitivity**
- **Complies with EN 54 Part 7**
- **Head out continuity - all connected devices remain operational even with heads removed**
- **Range of surface and recessed bases**
- **Plug in base with automatic locking**

## Dimensions

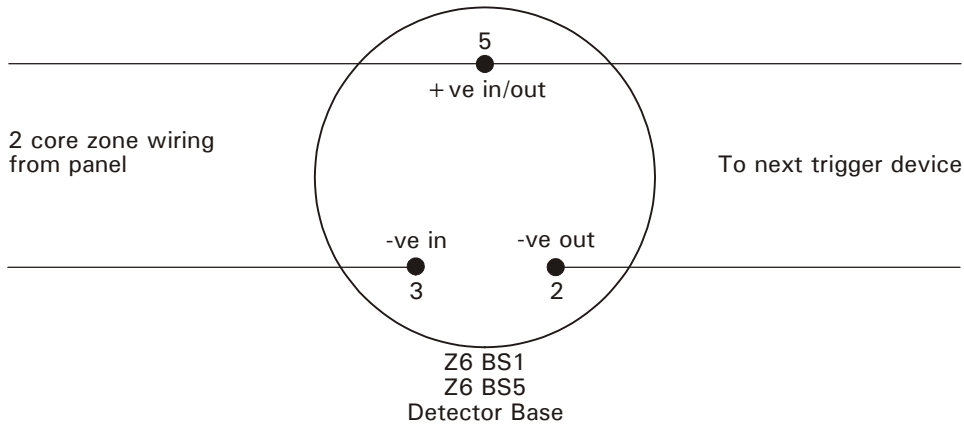


Note: Dimensions shown without base.

## Sensitivity Adjustment



## Wiring Schematic



Note: The wiring details shown are typical only. For specific connections see detector base datasheet PS1307.1.

## Specifications



Model No.	Part No.	Specification	Description	Sensitivity
Z630A-1	20801	EN54 Pt7	Optical smoke detector	High 0.08 dB/m (norm) Medium 0.13 dB/m (norm) Low 0.16 dB/m (norm)

Compatibility	All ZC conventional systems	<b>Environmental:</b>	
Mounting	Plugs into surface or semi recessed base	Application	Indoor installation
Area coverage	100m <sup>2</sup> , subject to local codes	EN60529 rating	IP32
Wiring	2 wire zonal	Temp range	-20°C to +60°C
<b>Monitoring:</b>		Humidity range	20% to 95% RH (non condensing)
Z6-BS1/BR1	Open and short circuit by end of line resistor	EMC	CE marked (EEC89/336)
Z6-BS5/BR5	Open and short circuit and head out by active end of line unit (ZC-AEOL)	<b>Construction:</b>	
Indication	Alarm LED (red)	Material	Moulded ABS
Detection principle	Photo electric light scatter	Dimensions	106mm (Dia) x 52mm (H) (excluding base)
Operating voltage	15 - 30 volts DC	Height	From ceiling with base: BS1/BS5 surface base - 60mm BR1/BR5 recessed based - 38mm
Current (quiescent)	<60µA	Colour	White
Current (alarm)	Max. 50mA (limited by panel)	Weight	100g (without base)

Ziton Ltd  
 8 Newmarket Court Chippenham Drive Kingston Milton Keynes MK 10 0AQ United Kingdom  
 Telephone +44 (0) 1908 281981 Fax +44 (0) 1908 282554 email zitonuk@ziton.spk.com

Ziton (Pty) Ltd  
 Ziton House 555 Voortrekker Road Maitland 7405 PO Box 4965 Cape Town 8000 South Africa  
 Telephone +27 (0)21 506 6000 Fax +27 (0)21 506 6100 email zitonasa@ziton.spk.com

Copyright (c) Ziton Limited  
 Ziton reserves the right to change specifications without notice in order to improve products or manufacturing methods. Although every effort is made to avoid errors, we reserve the right to correct typographical, photographic, clerical or printing errors.