

Designed to provide an early response to slow burning, smouldering fires, the Z630AU-2 optical detector provides reliable sensing for most conventional fire alarm applications. The detectors adjustable sensitivity, makes it ideal for areas where smoke particles may be intermittently present.

Three sensitivity levels are site selectable, via jumper switch settings located in the base plate of the unit. This allows detector response to be matched to a range of environmental requirements.

The lowest sensitive setting accommodates applications where some air pollution may be present due to industrial processes, or cigarette smoke, whilst the highest may be used in clean air installations, for example computer rooms.

At all three settings, the Z630AU-2 meets fully the sensitivity requirements of UL 268.

The detector operates on the light scatter principle, making it effective in applications where fires producing large particle smoke can be expected.

Great care has been taken to provide a detector that whilst effective in operation is unobtrusive when installed. The low profile moulding and options of either surface or recessed bases make the unit ideal for both modern commercial and industrial interiors, featuring solid or suspended ceilings.

For ease of removal, Z630AU-2 detectors plug into the Z6U range of base units by, a simple twist and lock action.

The unit can be monitored for detector removal by any conventional ZC control panel. When a detector (or detectors) is removed from its base, the panel gives a fault signal.

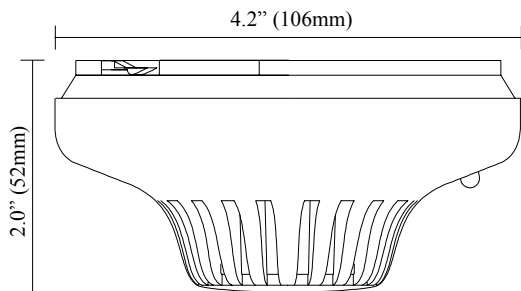


Z630AU-2

Conventional Optical Smoke Detector - Adjustable Sensitivity

- **Adjustable sensitivity**
- **UL approved**
- **Complies with UL 268**
- **Plug in base with automatic locking**

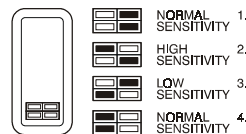
Dimensions



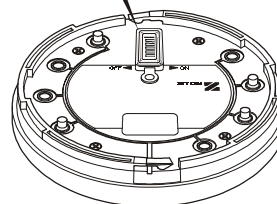
990664.cdr

Note: Dimensions shown without base.

Sensitivity Adjustment

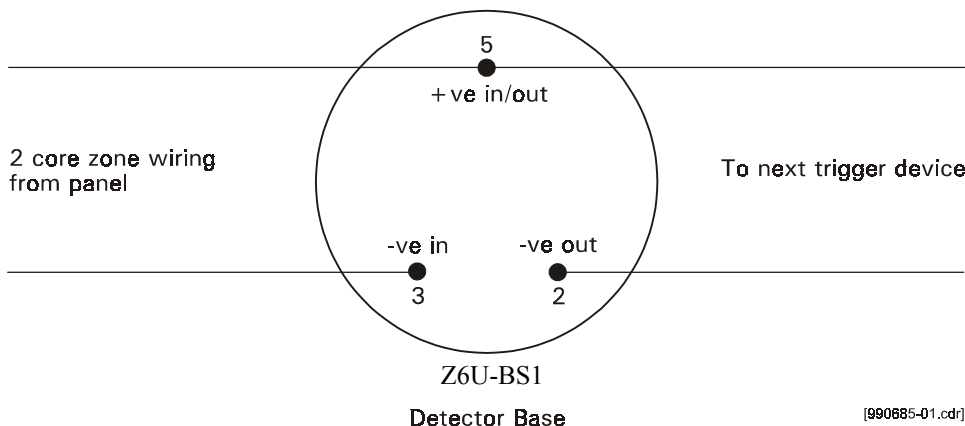


NOTE:
 Position (4) is not normally used
 but represents Normal Sensitivity



[991006.cdr]

Wiring Schematic



[990685-01.cdr]

Specifications

Model No.	Part No.	Specification	Description	Sensitivity	
Z630AU-2	85601	UL 268	Optical smoke detector	High	1.0 to 1.99 %obs/ft
				Medium	1.3 to 2.29 %obs/ft
				Low	1.60 to 2.59 %obs/ft

Approval	UL	Environmental:	
Compatibility	As per listed conventional panels	Application	Indoor installation
Mounting	Plugs into surface or semi recessed base	EN60529 rating	IP32
Area coverage	1075.8 ft ² (100m ²), subject to local codes	Temp range	-4°F to +140°F (-20°C to +60°C)
Wiring	2 wire zonal	Humidity range	20% to 95% RH (non condensing)
Monitoring:		EMC	CE marked (EEC89/336)
Z6U-BS1	Open and short circuit by end of line resistor	Construction:	
Indication	Alarm LED (red)	Material	White moulded high impact fire retardant plastic.
Detection principle	Photo electric light scatter	Dimensions	4.2" (106mm) Dia x 2.0" (52mm) H (excluding base)
Operating voltage	15 - 30 volts DC	Height	From ceiling with surface base: 2.4" (60mm)
Current (quiescent)	<60µA	Colour	White
Current (alarm)	Max. 50mA (limited by panel)	Weight	3.5 oz (100g) (without base)

Ziton Ltd
 8 Newmarket Court Chippenham Drive Kingston Milton Keynes MK 10 0AQ United Kingdom
 Telephone +44 (0) 1908 281981 Fax +44 (0) 1908 282554 email zitonuk@ziton.spx.com

Ziton (Pty) Ltd
 Ziton House 555 Voortrekker Road Maitland 7405 PO Box 4965 Cape Town 8000 South Africa
 Telephone +27 (0)21 506 6000 Fax +27 (0)21 506 6100 email zitonsa@ziton.spx.com

Copyright (c) Ziton Limited
 Ziton reserves the right to change specifications without notice in order to improve products or manufacturing methods. Although every effort is made to avoid errors, we reserve the right to correct typographical, photographic, clerical or printing errors.