

Accessories

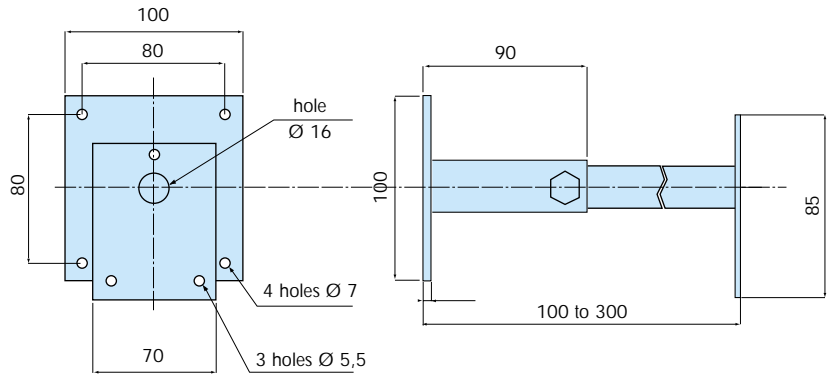
SERIES **AC**

Telescopic bracket wall mounting

AC 912 ME 55



Black galvanised steel bracket .
Adjustable length.
Supplied with screws kit.



Universal bracket

L	ITEMS
150	AC 912 ME 51
250	AC 912 ME 52

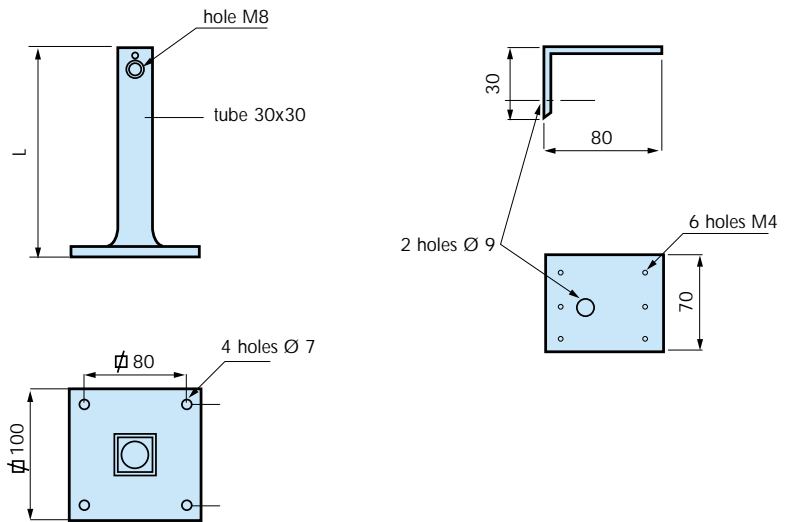


Wall mounting



Floor mounting

Steel bracket.
Colour RAL 9002.
It can be used at wall or at floor.
Supplied with screws kit.



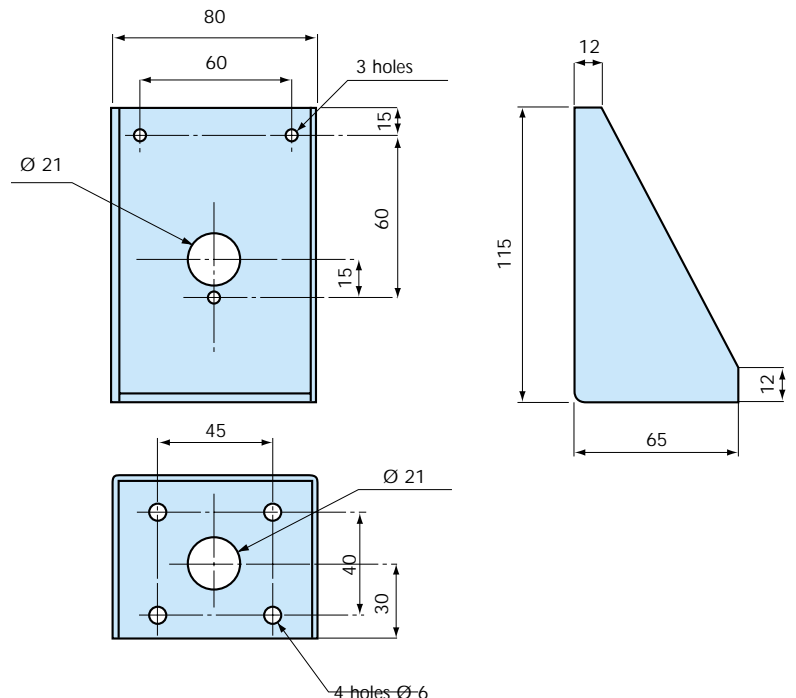
Bracket floor mounting

AC 916 ME 50



Floor mounting

Steel bracket.
Colour RAL 9002.
Supplied kit with screws kit.



Accessories

SERIES **AC**

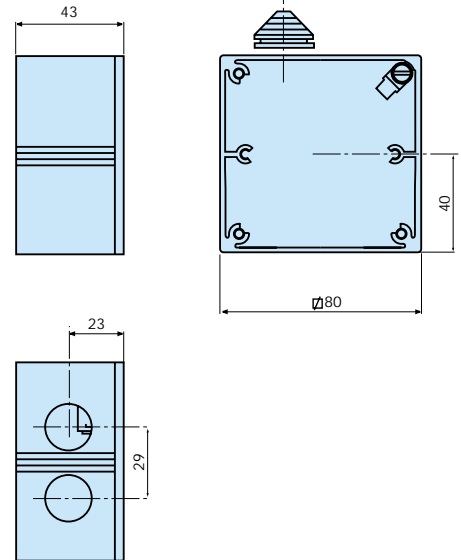
Mounting box length 45 mm.

AC 916.20.06



Wall mounting

To mount Series M 9200 - M 9400 door holders in a surface position.
Box in aluminium with two plastic pass-cables (min. 5 mm - max.16 mm)
Press-tubes are optional.



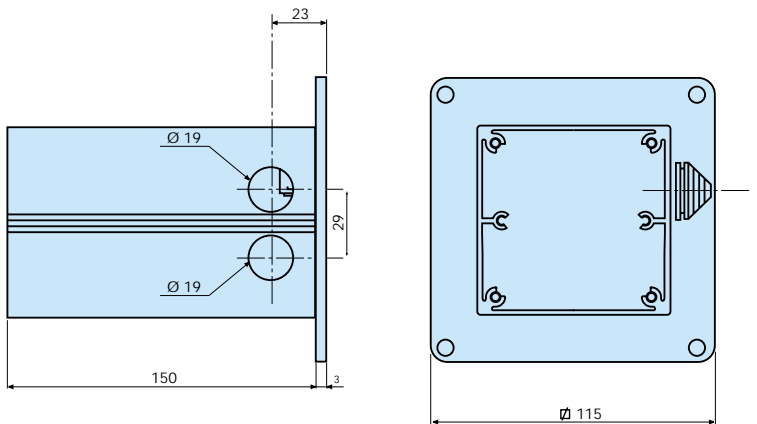
Mounting bracket length 150 mm.

AC 916.20.31



Wall mounting

To mount Series M 9200 - M 9400 door holders in a surface position.
Box in aluminium with two plastic pass-cables (min. 5 mm - max.16 mm)
Press-tubes are optional.
Lenght 150 mm.



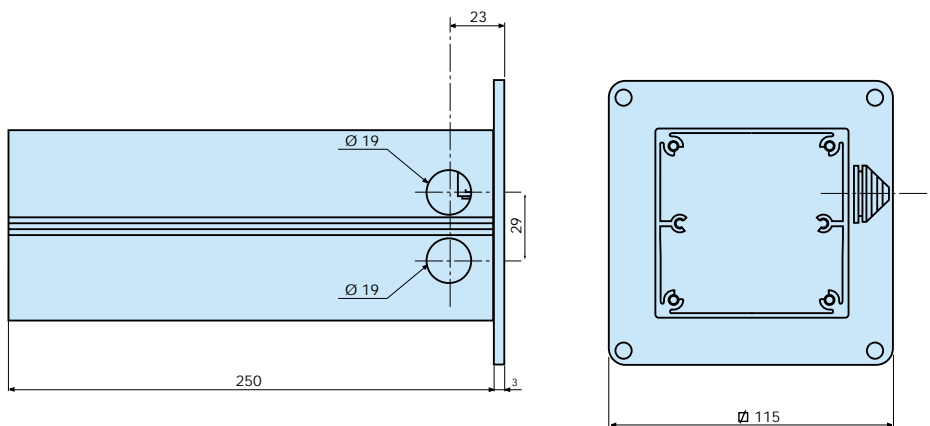
Mounting bracket length 250 mm.

AC 916.20.32



Wall mounting

To mount Series M 9200 - M 9400 door holders in a surface position.
Box in aluminium with two plastic pass-cables (min. 5 mm - max.16 mm)
Press-tubes are optional.
Lenght 250 mm.



Comsec Protection Systems Ltd., Unit 26, Stadium Business Park, Ballycoolin Road, Dublin 11
PHONE: (01) 8853008 - FAX: +353 (01) 8853007 EMAIL: info@comsec.ie - WEB:
<http://www.comsec.ie>