

Designed to provide the earliest response to a wide range of fire types, in locations where hard wiring is not an option, the ZR432 wireless sensor combines optical smoke sensing and thermal monitoring to provide an accurate warning of fire.

Individual monitoring of each element, measures actual smoke levels, in addition to temperature rates of rise. Smoke sensing can be isolated for areas where ambient smoke may exist at certain times of the day, or used on a day night basis in premises where heat only is required whilst the building is occupied.

Temperature response meets the requirements of European Standard EN54 Part 5. (Settable to grade 1 or grade 3), with smoke sensitivity complying with EN54 Part 7. The sensor is approved by several international approval bodies.

The unit is controlled directly from the main control panel, via a loop wired radio interface module. Up to 127 devices can be connected to each of the control panel loops, allowing both wireless and hardwired devices to be seamlessly located and controlled from the same wiring loop.

Each wireless device, controlled through the ZR470 radio interface unit, is assigned its own IDENT address, with which the main control panel communicates, providing the same system facilities as directly wired devices.

Temperature and smoke sensitivity can be set by selection switches located on the base plate of the unit, calibration and self test are carried out automatically. Removal or replacement of an incorrect sensing device is identified by the system and details displayed at the main control panel. Sophisticated auto contamination adjustment compensates for any long-term drift in performance, caused by dirt entering the sensing chamber.

For ease of removal sensors plug into the ZR400 radio base by a simple twist and lock action. Bases are installed using a matching fixing plate. A site selectable option is provided to lock the sensor into its base. Once applied the unit can only be removed by means of a special tool.

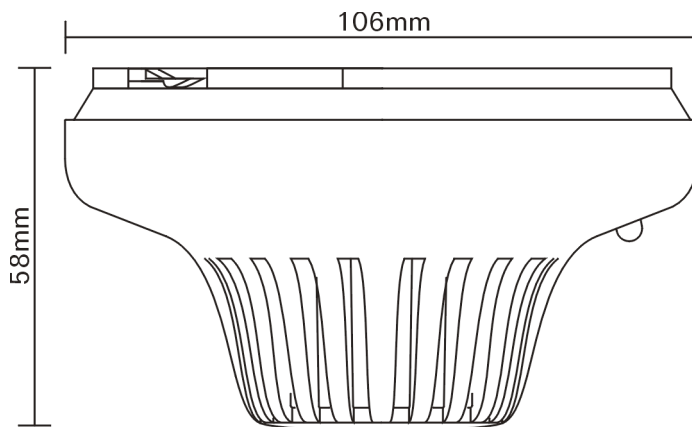


ZR432

Wireless Combination Smoke and Thermal Sensor

- **No external aerials**
- **Dual battery supply**
- **Full device status monitoring – power sources, head removal and device tamper**
- **Senses both smoke and heat**

Dimensions



990963-01.cdr

Note: Dimensions shown without base.

Specifications



Model No.	Part No.	Specification	Description
ZR432	68701	EN54 Pt5 and Pt7	Wireless smoke/heat sensor
Approval	R&TTE to EST300-200	Environmental:	
Operating frequency	VHF 173.245 MHz	Application	Indoor installation
Compatibility	All ZP3 analogue systems via ZP740 loop module	EN60529 rating	P32
Mounting	Plugs into surface base	Temp range	-10°C to +70°C
Area coverage	Smoke element: 100m ² , subject to local codes Thermal element: 50m ² , subject to local codes	Humidity range	10% to 95% RH (non condensing)
Monitoring:	Continuously self-checking	EMC	CE marked (EEC89/336)
Detection principle	Smoke: photo electric light scatter Thermal: thermistor	Construction:	
Addressing method	Unique address embedded in firmware	Material	Moulded ABS
Indication	Alarm LED (red)	Dimensions	106mm (D) x 58mm (H) (excluding base)
Operating voltage	3.2 volts DC	Height	From ceiling with base: ZR401 surface base – 88.7mm
Power supply	4 x 3.7 volt lithium TCL AA cells	Colour	White
		Weight	105g (excluding base)

Ziton Ltd
 8 Newmarket Court Chippenham Drive Kingston Milton Keynes MK 10 0AQ United Kingdom
 Telephone +44 (0) 1908 281981 Fax +44 (0) 1908 282554 email zitonuk@ziton.spx.com

Ziton (Pty) Ltd
 Ziton House 555 Voortrekker Road Maitland 7405 PO Box 4965 Cape Town 8000 South Africa
 Telephone +27 (0)21 506 6000 Fax +27 (0)21 506 6100 email zitonsa@ziton.spx.com

Copyright (c) Ziton Limited
 Ziton reserves the right to change specifications without notice in order to improve products or manufacturing methods. Although every effort is made to avoid errors, we reserve the right to correct typographical, photographic, clerical or printing errors.

PS 1490.1, issue 01, Published 30 November 2002

Comsec Protection Systems Ltd., Unit 26, Stadium Business Park, Ballycoolin Road, Dublin 11
 PHONE: (01) 8853008 - FAX: +353 (01) 8853007 EMAIL: info@comsec.ie - WEB: http://www.comsec.ie