

The ZR440 wireless interface unit provides a method of interfacing an input or output signal onto the fire detection and alarm system, in areas where the installation of system wiring is not an option.

As an input the ZR440 receives monitored fire signals from other fire alarm equipment, for example beam or aspiration detectors. Used as an output the unit switches equipment controlled by the fire detection system, for example air conditioning or magnetic door releases.

Both input and output facilities are available from the same unit and may be operated simultaneously.

The interface communicates with the main control panel via a hardwired, radio loop module which can be installed anywhere on the ZP loop.

The input function accepts a fire signal and passes it, via the radio loop module, to the main fire control panel, where it is displayed.

Used as an output the interface provides volt free change over contacts, for connecting equipment ancillary to the fire detection system and is programmed or mapped to specific inputs. Where several outputs are required to operate together, they can be mapped within a group address.

Installed as part of the ZP3 analogue addressable system, up to 127 line devices (sensors, callpoints or interface units) can be connected to each of the control panel loops. Each wireless device, controlled through the ZR470 Radio Loop Module is assigned its own IDENT address, with which the main control panel communicates, providing the same system facilities as directly wired devices.

The interface is powered by an internal lithium power pack providing a 5 years life under normal site conditions and monitoring features battery condition reporting.

A high intensity, red LED indicator, positioned on the front moulding, can be illuminated manually to identify when the interface has operated, providing clear identification of the signal source.

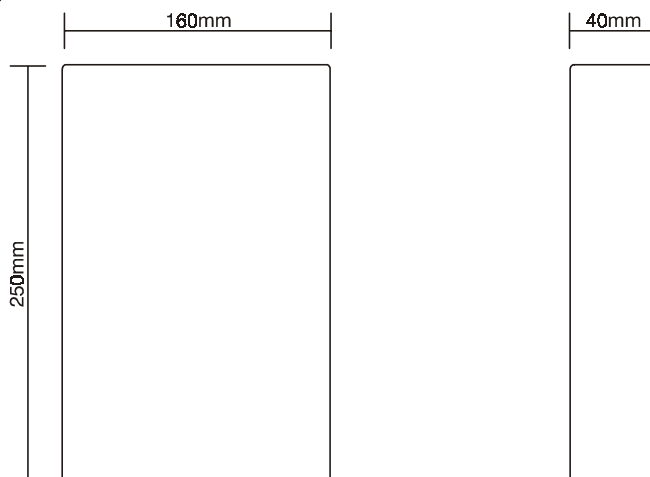


ZR440

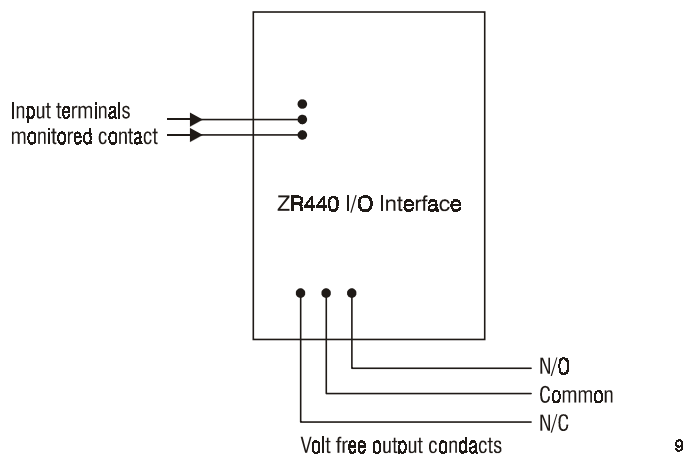
Wireless Input/Output Interface Unit

- **Addressable input interface unit**
- **Wire free activation**
- **Volt free relay output**
- **Monitored input for fire and fault**
- **Two way radio communication**

Dimensions



Wiring Diagram



Specifications



Model No.	Part No.	Specification	Description
ZR440	585AA	IP42	Wireless I/O Interface Unit
Mounting	Surface	Environmental:	
Approval	R&TTE to ETS 300-220	Application	Indoor installation
Operating frequencies	UHF 458.5 to 459.5 MHz VHF 173.245 MHz	EN60529	IP42
Monitoring:	Continuously self-checking	Temp range	-10°C to +70°C
Indication	LED (RED) Illuminated by push switch on operation	Humidity range	10% to 95% (Non condensing)
Operating voltage	3.7 volts	EMC	CE marked (EEC 89/336)
Power supply	Internal lithium power pack with 5 years life	Construction:	
Output	Volt free contact, rated 1A at 24Vdc	Material	Moulded ABS
		Dimensions	160mm (W) x 250mm (H) x 40mm (D)
		Colour	Cool grey
		Weight	750g

Ziton Ltd
 8 Newmarket Court Chippenham Drive Kingston Milton Keynes MK 10 0AQ United Kingdom
 Telephone +44 (0) 1908 281981 Fax +44 (0) 1908 282554 email zitonuk@ziton.spx.com

Ziton (Pty) Ltd
 Ziton House 555 Voortrekker Road Maitland 7405 PO Box 4965 Cape Town 8000 South Africa
 Telephone +27 (0)21 506 6000 Fax +27 (0)21 506 6100 email zitonza@ziton.spx.com

Copyright (c) Ziton Limited
 Ziton reserves the right to change specifications without notice in order to improve products or manufacturing methods. Although every effort is made to avoid errors, we reserve the right to correct typographical, photographic, clerical or printing errors.

PS 1495.1, issue 01, Published 01 December 2002

Comsec Protection Systems Ltd., Unit 26, Stadium Business Park, Ballycoolin Road, Dublin 11
 PHONE: (01) 8853008 - FAX: +353 (01) 8853007 EMAIL: info@comsec.ie - WEB: http://www.comsec.ie