

Designed for use in large, open, high ceiling areas where point type detection would prove difficult to install and maintain, the ZBM5 linear beam detector provides accurate detection of both smoke and heat, from a variety of fire conditions.

Compatible with all Ziton analogue and conventional systems the detection equipment comprises a transmitter unit (Tx), a receiver (Rx) and an optional keypad controller.

Transmitter and receiver units are installed on opposite walls of the building, just below ceiling height. An invisible, infrared beam is pulsed from the transmitter to the receiver. Suitable for building spans of, from 7 to 100 metres, the ZBM5 provides protection for a floor area of 7.5 metres either side of the beam, resulting in a maximum coverage of up to 1500 sq metres from a single unit.

The unit fully meets the requirements of European Standard EN54 Pt12 and the requirements of BS5839 Pt5:1998.

The detector features both heat and smoke channels. Smoke is detected by obscuration of the beam, causing a corresponding reduction of signal strength at the receiver and heat by the change in modulated frequency, resulting from air turbulence, due to convection currents rising either through, or around the beam.

Any deterioration in signal strength, over time, due to build up of dirt on the detector lens, is automatically compensated for by the receiver. Upon reaching the limit of compensation, the detector indicates a fault condition enabling the lens to be cleaned and the unit reset.

Once securely fixed to the building structure, the unit's aligning features enable easy commissioning and testing with no special skills required by the installer.

An optional, eye level keypad control unit, includes a status display, showing records of detector performance and the last 10 system events.

Auxiliary outputs are provided for both fire and pre-alarm conditions.

The control unit is removable from its connections allowing greater security and the facility for several detector sets to be controlled from a single, portable keypad.

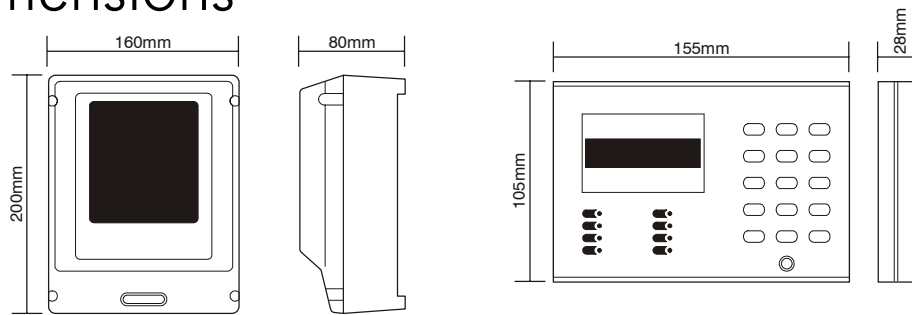


ZBM5

Linear Beam Detector

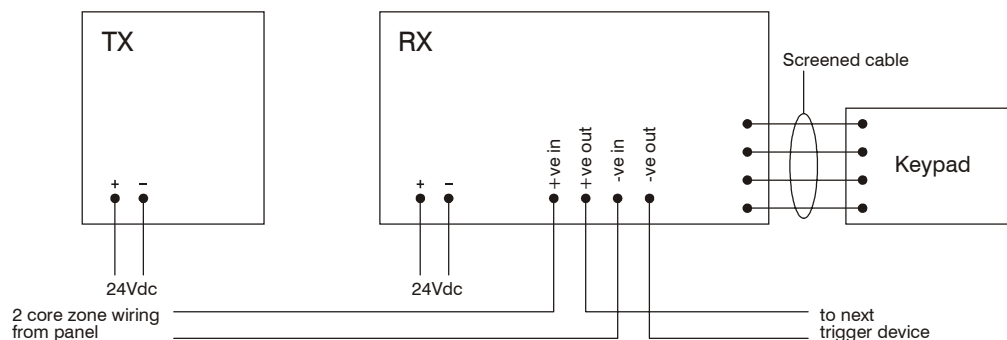
- **Smoke and heat detection**
- **Complies with EN 54 Pt 12**
- **Designed for high open areas**
- **Eye level keypad controls**
- **Transmitter and receiver easy to align**

Dimensions



[991187-01.cdr]

Wiring Schematic



[991182-01]

Specifications



Model No.	Part No.	Description
ZBM5-100	94601	Transmitter/receiver (100 metre span)
ZBM5-150	99901	Transmitter/receiver (150 metre span)
ZBM5-KP	94701	Keypad
ZBM5-T15	99801	Test obscuration filter 15 %
ZBM5-T35	99802	Test obscuration filter 35 %
ZBM5-T65	99803	Test obscuration filter 65 %
Specification	EN54 Part 12	Switched outputs
Compatibility	All Ziton ZP and ZC systems, via appropriate interfaces	System output (fire) AOX ₁ , AOX ₂ normally open. Fault normally closed. selectable latching or non-latching
Span	7 to 100 metres	Indications
Mounting		LEDs for alignment, Fire, Fault and Power on Backlit LCD at keypad.
Transmitter & receiver units	Four screws direct to building structure. Units must have clear line of sight	Environmental:
Keypad	Surface	Application
Wiring	Transmitter 2 core (24 volt dc supply) fire protected cable Receiver 2 core (24 volt dc supply) fire protected cable ZP3 systems output to loop via ZP745 miniature relay – 2 core screened Receiver to keypad 4 core screened, fire protected cable	EN60529 rating
Monitoring:	Open and short circuit wiring Signal lost, limit exceeded	Temp range
Operating voltage	9 to 33 V DC	EMC
Current at 24V DC	30 mA (standby) 30 mA (alarm)	Construction:
Keypad Current	70 mA 100 mA (backlit)	Material
		Dimensions:
		Transmitter & receiver
		Keypad
		Colour
		Weight
		Transmitter/receiver grey Keypad white Transmitter 715g Receiver 803g Keypad 214g

Ziton Ltd
8 Newmarket Court Chippenham Drive Kingston Milton Keynes MK 10 0AQ United Kingdom
Telephone +44 (0) 1908 281981 Fax +44 (0) 1908 282554 email zitonuk@ziton.spx.com

Ziton (Pty) Ltd
Ziton House 555 Voortrekker Road Maitland 7405 PO Box 4965 Cape Town 8000 South Africa
Telephone +27 (0)21 506 6000 Fax +27 (0)21 506 6100 email zitonrsa@ziton.spx.com

Copyright (c) Ziton Limited
Ziton reserves the right to change specifications without notice in order to improve products or manufacturing methods. Although every effort is made to avoid errors, we reserve the right to correct typographical, photographic, clerical or printing errors.