

The System comprises of a single unit incorporating an infra-red Transmitter and Receiver. The signal is reflected by a prism and analysed for smoke presence. Should a predetermined level be reached, a fire condition is activated.

The system is designed to be mounted so that the beam will project between 0.3 and 0.6 meters below and parallel to the ceiling. Lateral detection may be up to 7.5 meters either side of the beam.



Specification

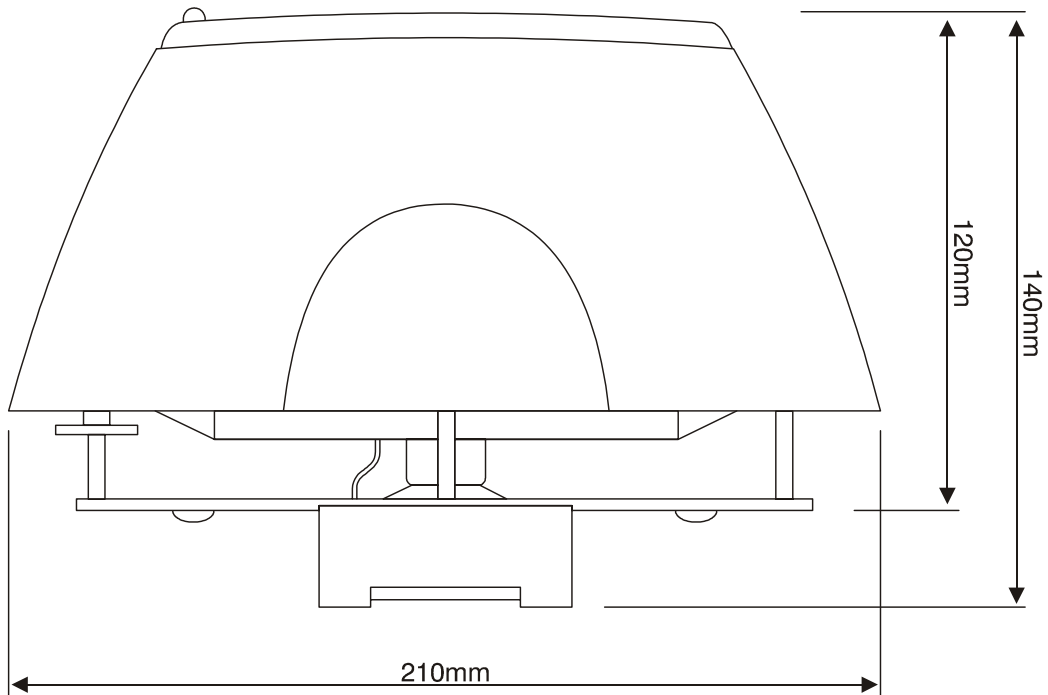
Model No.	ZBMR-50 ZBMR-100
Description	Reflective beam smoke detector.
Electrical	
Input voltage	12 - 24Vdc
Quiescent current	15mA @ 24Vdc
Output	Fire – c/o contacts (2amp @ 30Vdc)
Fault	c/o contacts (2amp @ 30Vdc)
Temperature range	-20°C to +55°C
Construction	
Housing	Flame resistant ABS
Rating	IP50
Finish	Grey/Black
Weight	0.7Kg
Dimensions	210mm X 140mm X120mm

ZBMR

Reflective Beam Smoke Detector

- **Single compact housing**
- **Operating range up to 50m**
- **12-24 Vdc operation**
- **Low current consumption**
- **Robust construction**
- **Conforms: BS5839 Pt5 EN54, UL and Vds**

Dimensions



992073-01.cdr

Ziton Ltd
8 Newmarket Court Chippenham Drive Kingston Milton Keynes MK 10 0AQ United Kingdom
Telephone +44 (0) 1908 281981 Fax +44 (0) 1908 282554 email zitonuk@ziton.spx.com

Ziton (Pty) Ltd
Ziton House 555 Voortrekker Road Maitland 7405 PO Box 4965 Cape Town 8000 South Africa
Telephone +27 (0)21 506 6000 Fax +27 (0)21 506 6100 email zitonsa@ziton.spx.com

Copyright (c) Ziton Limited
Ziton reserves the right to change specifications without notice in order to improve products or manufacturing methods. Although every effort is made to avoid errors, we reserve the right to correct typographical, photographic, clerical or printing errors.

PS 501.1620, issue 01, Published 04 August 2003

Comsec Protection Systems Ltd., Unit 26, Stadium Business Park, Ballycoolin Road, Dublin 11
PHONE: (01) 8853008 - FAX: +353 (01) 8853007 EMAIL: info@comsec.ie - WEB: http://www.comsec.ie