

# L101 AlertAlight L.E.D. or Filament Bulb Beacon

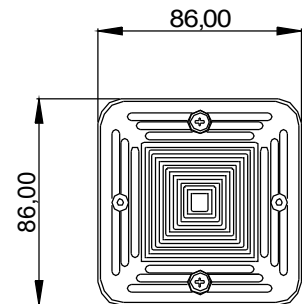


- High intensity L.E.D. : 8 L.E.D. array @ 2Hz
- Filament Bulb : 3 watt @ 1.5Hz
- Steady or blinking mode.
- 7 lens colours available -  
Amber, Blue, Clear, Green, Opal, Red, Yellow
- Remote switching from steady to blinking mode via input terminals on both versions.
- Voltages: 12vdc; 24vdc; 48vdc; 24vac; 115vac; 230vac.
- Other voltages available upon request
- Mounting via internal BESA compatible fixing positions.
- Back box with mounting lugs also available.
- IP55 - can be increased to IP56 (dust protected, watertight) with WR kit.
- Tropicalisation available on request.
- Base enclosure material: UL94V0 & 5VA rated FR ABS
- Base colour available: Red (RAL3000), Grey or White.
- Lens material: Polycarbonate
- Operating temperature: -25 to +55°C
- Storage temperature: -40 to +70°C
- Relative humidity: 90% at 20°C
- Weight: 0.20Kg
- Terminals accept 0.5 to 2.5mm<sup>2</sup> cables.



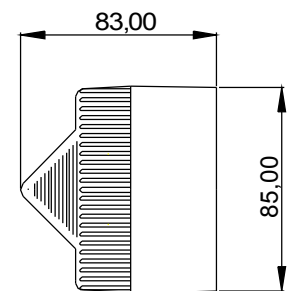
Input voltages and current consumption for the L101 L.E.D.

Voltage :	12vdc	24vdc	48vdc	115vac 50/60Hz	230vac 50/60Hz	24vac 50/60Hz
Voltage range :	10-14v	20-28v	42-54v	+/-10%	+/-10%	+/-10%
Current mA :	150mA	100mA	100mA	54mA	27mA	110mA



Input voltages and current consumption for the L101 Bulb.

Voltage :	12vdc	24vdc	48vdc	115vac 50/60Hz	230vac 50/60Hz	24vac 50/60Hz
Voltage range :	10-14v	20-28v	42-54v	+/-10%	+/-10%	+/-10%
Current mA :	250mA	125mA	65mA	30mA	15mA	130mA



All dimensions are in millimetres.

Can be ordered with any of the **AlertAlarm** sounder range to create a combination unit.

Units can be operated individually or linked for complete audio visual signalling.



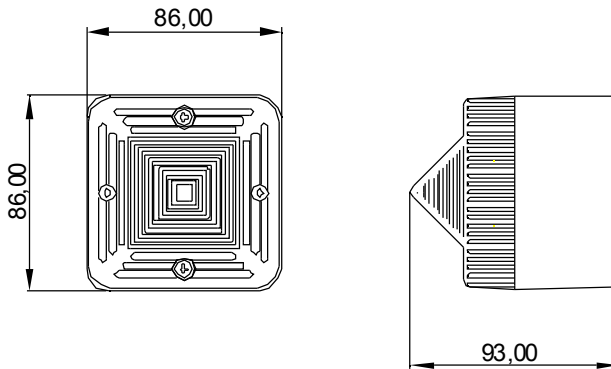
Ordering code :

<u>L101L</u>	<u>DC</u>	<u>24</u>	<u>R</u>	/	<u>R</u>
<b>Product</b>	<b>Supply</b>	<b>Voltage</b>	<b>Housing</b>		<b>Lens</b>
L101L (L.E.D.)	DC	12	R	Red	A Amber
L101B (Bulb)	AC	24	W	White	B Blue +
		48	G	Grey	C Clear +
		115			G Green
		230			O Opal +
					R Red
					Y Yellow

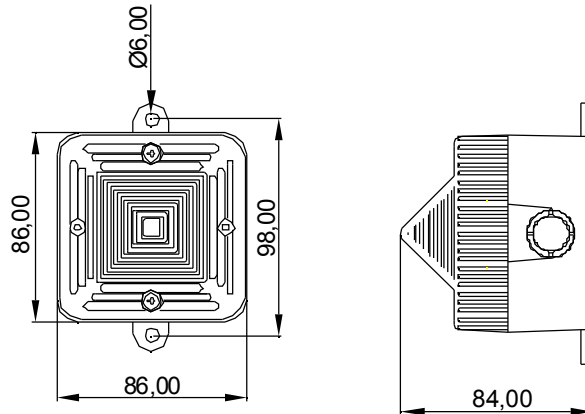
+ - Bulb version only.

L101 Mounting box options:

'Sonora' type back box:  
3 x M20 knockouts  
Example part no.: L101DC24SR/R



'A100' type back box:  
2 x M20 knockouts  
With mounting lugs.  
Example part no.: L101DC24AR/R



'Multi-purpose' type back box:  
Up to 2 x M20 knockouts  
With mounting lugs  
Example part no.: L101DC24MR/R

