

# L101 Flashtel

## A100 / AL100 & A105N / AL105N Sontel Telephone Ringer, Beacon & Combination unit



### A100 & AL100 Sontel.

- Maximum output: 104dB(A) @ 1 metre  
Nominal output: 100dB(A) @ 1m +/-3dB
- 3 alarm tones
- Direct power from telephone line (REN 1)  
(Xenon Strobe add-on requires AC power supply)
- IP55 - can be increased to IP56 (dust protected, watertight) with WR kit.
- Tropicalisation available on request.
- Enclosure material: UL94V0 & 5VA rated FR ABS
- Colour available: Red (RAL3000), Grey or White.
- Operating temperature: -25 to +55°C
- Storage temperature: -40 to +70°C
- Relative humidity: 90% at 20°C
- Weight: 0.26Kg



A continuously rated compact telephone ringer sounder & combination unit.

- 3 x gland knockouts in side & back.
- Unit can be mounted using external lugs or internal BESA compatible fixing positions.
- All units offer IN and OUT terminals
- Terminals accept 0.5 to 2.5mm<sup>2</sup> cables.

### A105N & AL105N Sontel.

- Maximum output: 112dB(A) @ 1 metre  
Nominal output: 105dB(A) @ 1m +/-3dB
- 3 alarm tones
- Direct power from telephone line (REN 1)  
(Xenon Strobe add-on requires AC power supply)
- IP55 - can be increased to IP66 (dust protected, watertight) with WR kit.
- Tropicalisation available on request.
- Enclosure material: UL94V0 & 5VA rated FR ABS
- Colour available: Red (RAL3000), Grey or White.
- Operating temperature: -25 to +55°C
- Storage temperature: -40 to +70°C
- Relative humidity: 90% at 20°C
- Weight: 0.75Kg



A continuously rated high output telephone ringer sounder & combination unit.

- Cable gland knockouts in the rear of the unit.
- Side M20 cable gland entry and IP55 stopping plug.
- Unit can be mounted using external lugs or internal BESA compatible fixing positions.
- All units offer IN and OUT terminals
- Terminals accept 0.5 to 2.5mm<sup>2</sup> cables.

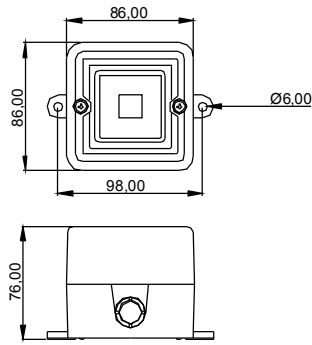
### L101 Flashtel

- 5 Joule @ 1Hz (5 Ws).
- 150 Candela output (clear lens)
- 7 lens colours available -  
Amber, Blue, Clear, Green, Opal, Red, Yellow
- Tube life : 5 Million flashes (after which emissions reduced to 70%)
- IP55 - can be increased to IP56 (dust protected, watertight) with WR kit.
- Tropicalisation available on request.
- Base enclosure material: UL94V0 & 5VA rated FR ABS
- Base colour available: Red (RAL3000), Grey or White.
- Lens material: Polycarbonate
- Operating temperature: -25 to +55°C
- Storage temperature: -40 to +70°C
- Relative humidity: 90% at 20°C
- Weight: 0.20Kg

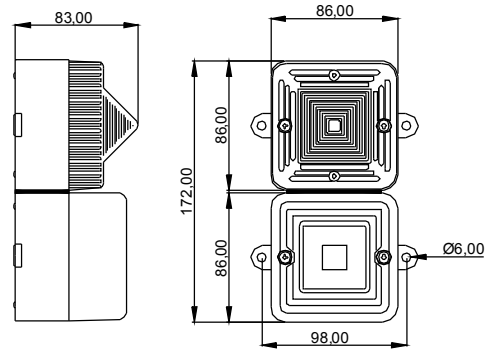


- Mounting via internal BESA compatible fixing positions.
- Back box with mounting lugs also available.
- Terminals accept 0.5 to 2.5mm<sup>2</sup> cables.

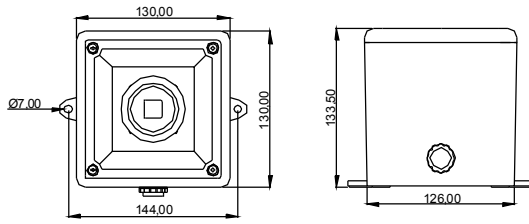
A100 Dimensions.



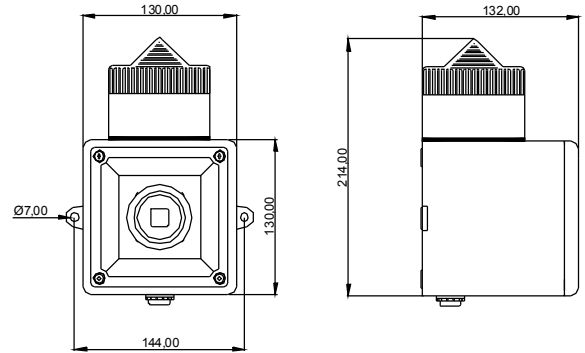
AL100 Dimensions.



A105N Dimensions.

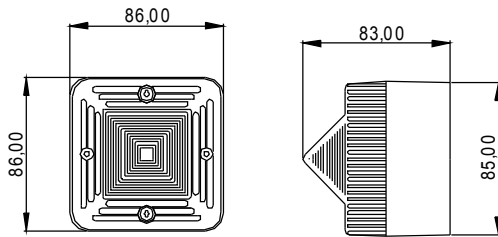


AL105N Dimensions.



All dimensions are in millimetres.

L101 Dimensions.



Ordering code: A100-TEL / R / R\* \* = If applicable

Product
A 100-TEL
AL 100-TEL
A 105N-TEL
AL 105N-TEL

Housing	
R	Red
W	White
G	Grey

Lens	
A	Amber
B	Blue
C	Clear
G	Green
O	Opal
R	Red
Y	Yellow

Ordering code: L101-TEL / R / R

Product
L 101-TEL

Housing	
R	Red
W	White
G	Grey

Lens	
A	Amber
B	Blue
C	Clear
G	Green
O	Opal
R	Red
Y	Yellow

AL100 Sontel-Flash  
AL105N Sontel-Flash



TSP1901-B, 2002-B, 1401-B