

A140 Disaster Warning Alarm Sounder

[Click here to go to the Comsec web site](#)



- Maximum output : 140dB(A) @ 1metre
- 32 alarm tones
- 3 stage alarm option
- Automatic synchronisation on multi-sounder systems
- **1 to 2Km effective range @ 1kHz**
- Voltages : 24vdc(21-28vdc); 115vac;230vac
- Ideal for battery back-up applications
- DC versions have reverse polarity diode protection.
- Fully programmable version with 4 stages available.
- Special tones available on request.
- Enclosure material : Lightweight fibreglass
- Colour available : Grey
- Operating temperature : -25 to +55°C
- Storage temperature : -40 to +70°C
- Relative humidity : 90% at 20°C
- Weight: 25Kg

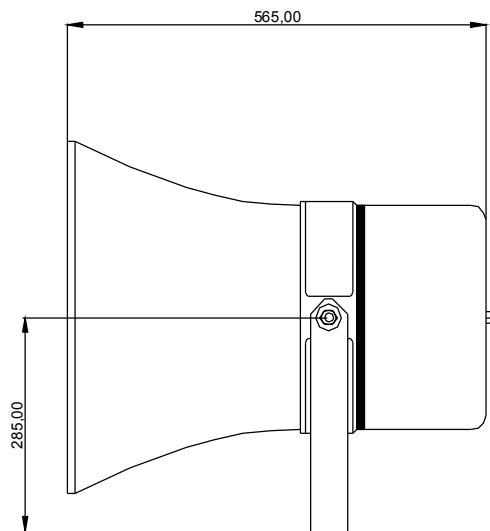
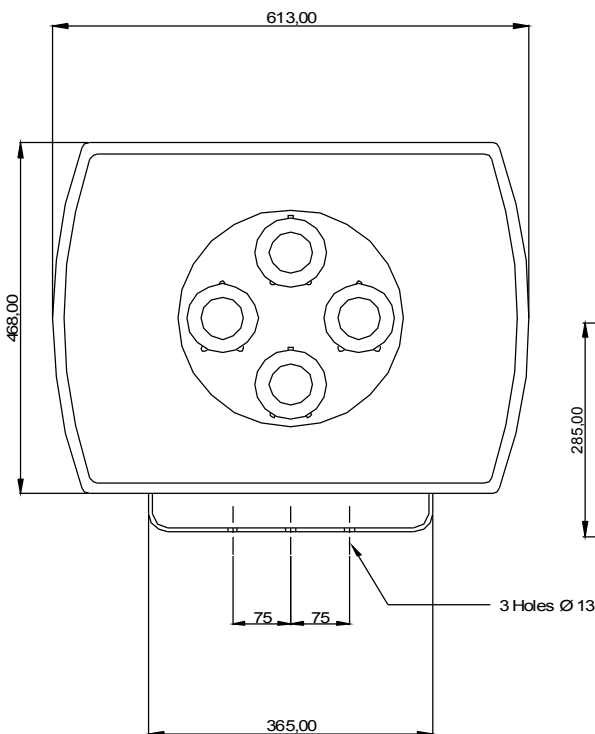


A compact, high powered, lightweight unit.

Applications include large industrial sites, quarries, remote CEMAH sites, agricultural or forestry sites.

Input voltages and current consumption for the A140 sounder.

Voltage :	24vdc	115vac	230vac
		50/60Hz	50/60Hz
Voltage range :	21-28vdc	+/- 10%	+/- 10%
Current mA :	8A	2A	1A



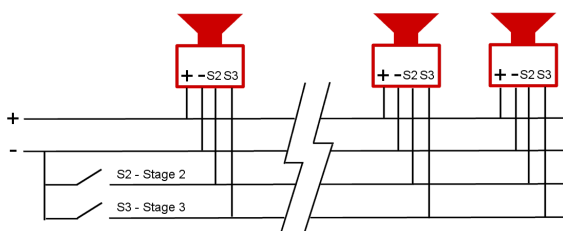
are in millimetres.

Also available:

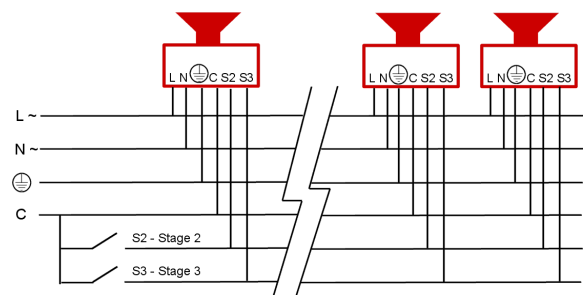
- **A100** AlertAlarm - 32 tones 104dB(A).
- **A105N** AlertAlarm - 32 tones 112dB(A).
- **A112** AlertAlarm - 45 tones 119dB(A).
- **A121** AlertAlarm - 45 tones 126dB(A).
- **A105N** Appello range of voice evacuation products.

Stage 1	Frequency Description		Stage 2	Stage 3
Tone 1	340 Hz Continuous		Tone 2	Tone 5
Tone 2	800/1000Hz @ 0.25 sec Alternating		Tone 17	Tone 5
Tone 3	500/1200Hz @ 0.3Hz 0.5 sec Slow Whoop		Tone 2	Tone 5
Tone 4	800/1000Hz @ 1Hz Sw eeping		Tone 6	Tone 5
Tone 5	2400Hz Continuous		Tone 3	Tone 20
Tone 6	2400/2900Hz @ 7Hz Sw eeping		Tone 7	Tone 5
Tone 7	2400/2900Hz @ 1Hz Sw eeping		Tone 10	Tone 5
Tone 8	500/1200/500Hz @ 0.3Hz Sw eeping		Tone 2	Tone 5
Tone 9	1200/500Hz @ 1Hz - DIN / PFEER P.T.A.P.		Tone 15	Tone 2
Tone 10	2400/2900Hz @ 2Hz Alternating		Tone 7	Tone 5
Tone 11	1000Hz @ 1Hz Intermittent		Tone 2	Tone 5
Tone 12	800/1000Hz @ 0.875Hz Alternating		Tone 4	Tone 5
Tone 13	2400Hz @ 1Hz Intermittent		Tone 15	Tone 5
Tone 14	800Hz 0.25sec on, 1 sec off Intermittent		Tone 4	Tone 5
Tone 15	800Hz Continuous		Tone 2	Tone 5
Tone 16	660Hz 150mS on, 150mS off Intermittent		Tone 18	Tone 5
Tone 17	544Hz (100mS)/440Hz (400mS) - NF S 32-001		Tone 2	Tone 27
Tone 18	660Hz 1.8sec on, 1.8sec off Intermittent		Tone 2	Tone 5
Tone 19	1.4KHz-1.6KHz 1s, 1.6KHz-1.4KHz 0.5s -NFC48-265		Tone 2	Tone 5
Tone 20	660Hz Continuous		Tone 2	Tone 5
Tone 21	554Hz/440Hz @ 1Hz Alternating		Tone 2	Tone 5
Tone 22	544Hz @ 0.875 sec. Intermittent		Tone 2	Tone 5
Tone 23	800Hz @ 2Hz Intermittent		Tone 6	Tone 5
Tone 24	800/1000Hz @ 50Hz Sw eeping		Tone 29	Tone 5
Tone 25	2400/2900Hz @ 50Hz Sw eeping		Tone 29	Tone 5
Tone 26	Bell		Tone 2	Tone 15
Tone 27	554Hz Continuous		Tone 26	Tone 5
Tone 28	440Hz Continuous		Tone 2	Tone 5
Tone 29	800/1000Hz @ 7Hz Sw eeping		Tone 7	Tone 5
Tone 30	300Hz Continuous		Tone 2	Tone 5
Tone 31	660/1200Hz @ 1Hz Sw eeping		Tone 26	Tone 5
Tone 32	Tw o tone chime.		Tone 26	Tone 15

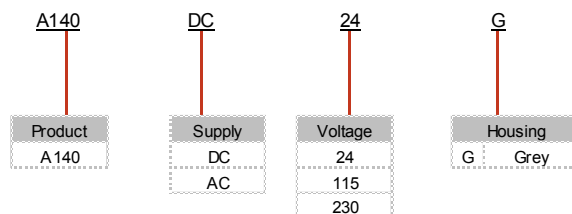
DC unit wiring configuration.



AC unit wiring configuration.



Ordering code :



A105N Appello P.I.R. Voice Annunciation unit



- Maximum output: 105dB(A) @ 1 metre
- Direct message storage on silicon: 16 seconds of speech
- Very high voice reproduction quality (moving coil loudspeaker)
- Volume control
- P.I.R. is in constant monitoring state - replays message upon activation.
- 32m effective range @ 1kHz
- Voltages: 12vdc(9-15vdc); 24vdc(18-30vdc); 115vac; 230vac.
- Easy message creation with built in microphone.
- Edits automatically to message length.
- DC versions have reverse polarity diode protection.
- IP55 - can be increased to IP66 (dust protected, watertight) with WR kit.
- Tropicalisation available on request.
- Enclosure material: UL94V0 & 5VA rated FR ABS
- Colour available: Red (RAL3000), Grey or White.
- Operating temperature: -25 to +55°C
- Storage temperature: -40 to +70°C
- Relative humidity: 90% at 20°C
- Weight: DC: 0.75Kg AC: 1.10Kg

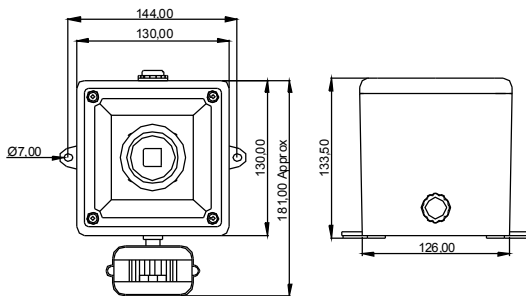
Record & store a user defined 16 second voice message. Message is repeated whilst P.I.R. remains activated.

- Cable gland knockouts in the rear of the unit.
- Side M20 cable gland entry and IP55 stopping plug.
- Unit can be mounted using external lugs or internal BESA compatible fixing positions.
- All units offer IN and OUT terminals
- Terminals accept 0.5 to 2.5mm² cables.

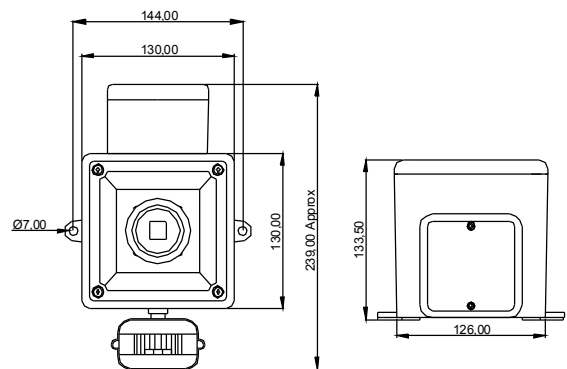
Input voltages and current consumption for the A105N Appello P.I.R.

Voltage :	12vdc	24vdc	115vac	230vac
			50/60Hz	50/60Hz
Voltage range :	9-15vdc	18-30vdc	+/-10%	+/-10%
Standby mA :	80mA	42mA	32mA	15mA
Activated mA :	250mA	150mA	45mA	20mA

A105N PIR DC Dimensions.



A105N PIR AC Dimensions.



All dimensions are in millimetres.

Other products in the Appello range include the Speech & Tone sounder (10 alarm tones) in a Synchronised and non-synchronised version. The Appello technology is also available in an ATEX approved explosionproof housing as the BExA110 & BExA120 units.



Also available:

- **A100** AlertAlarm - 32 tones 104dB(A).
- **A105N** AlertAlarm - 32 tones 112dB(A).
- **A112** AlertAlarm - 45 tones 119dB(A).
- **A121** AlertAlarm - 45 tones 126dB(A).