

BExBG05D & E ATEX EEx 5 Joule Hazardous Area Xenon Warning Beacons



- 5 Joule Xenon : 1Hz (60 FPM) (5 Ws).
- BExBG05D : EEx d IIC T5 (Tamb. -50 to +55°C)
EEx d IIC T6 (Tamb. -50 to +40°C)
- BExBG05E : EEx de IIC T5 (Tamb. -50 to +55°C)
EEx de IIC T6 (Tamb. -50 to +40°C)
- ATEX / CENELEC / FTZU / IECEx / GOST R
- Suitable for Zone 1, 2, 21 & 22 Gas Groups IIC IIB & IIA
- Voltages : 12vdc; 24vdc; 48vdc; 115vac; 230vac
- Six lens colours available : Amber, Blue, Clear, Green, Red & Yellow
- Automatic synchronisation on multi-beacon systems
- Beacons can be set to 'flip-flop' alternating mode with other units on multi-beacon systems
- Tube life : emissions reduced to 70% after 8 million flashes
- Xenon tubes mechanically secured against shock/vibration
- BExBG05D : IP67 BExBG05E : IP66
- Enclosure material : Marine grade LM6 Aluminium
- Chromated & powder coated finish - good resistance to humidity and salt spray environments.
- Glass lens & Stainless Steel guard.
- Colour available : Red (RAL3000)
- Operating temperature : -50 to +55°C (EExd IIC T5)
-50 to +40°C (EExd IIC T6)
- Storage temperature : -50 to +70°C
- Large range of certified end of line resistors.
- Weight : DC:2.45kg AC: 2.75kg
- KEMA Certificate number : 00ATEX2006 X



BExBG05D & BExBG05E
Flameproof & Dust ignition proof beacons
Zones 1, 2, 21 & 22

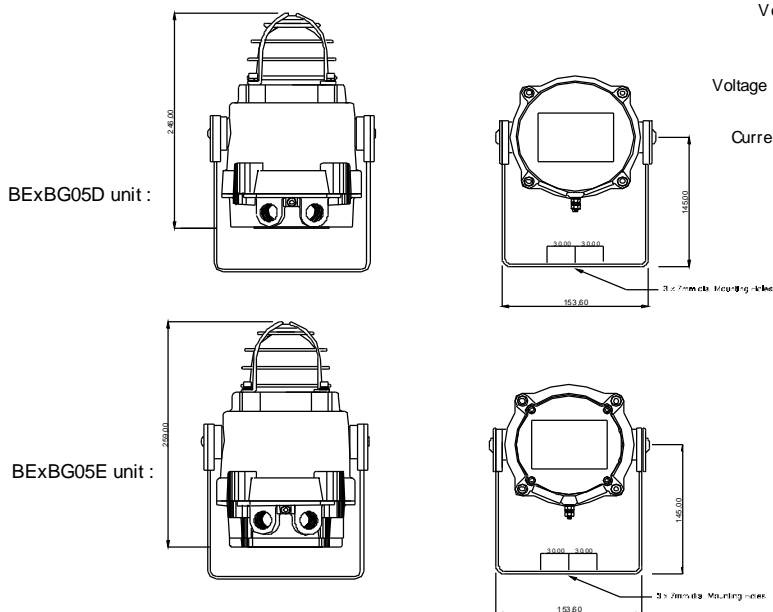
- II 2G/D EEx d IIC T5 T100°C
- II 2G/D EEx d IIC T6 T85°C
- II 2G/D EEx de IIC T5 T100°C
- II 2G/D EEx de IIC T6 T85°C

Installation Features.

- Very large termination area.
- Dual M20 ISO cable gland entries (supplied with one stopping plug).
- Ratchet adjustable stainless steel 'U' bracket for positive adjustment under harsh conditions.
- IN & OUT terminals
- Terminals accept 0.5 to 4.0mm² cables.
- Line monitoring : Min. 500 Ohm 2w, or 3k3 Ohm 0.5w resistor, or diode within EExd enclosure (dc versions)

Input voltages and current consumption for the BExBG05D & BExBG05E xenon beacons:

Voltage :	12vdc	24vdc	48vdc	115vac 50/60Hz	230vac 50/60Hz
Voltage range :	10-14v	20-28v	42-54v	+/-10%	+/-10%
Current mA :	750mA	270mA	180mA	140mA	55mA



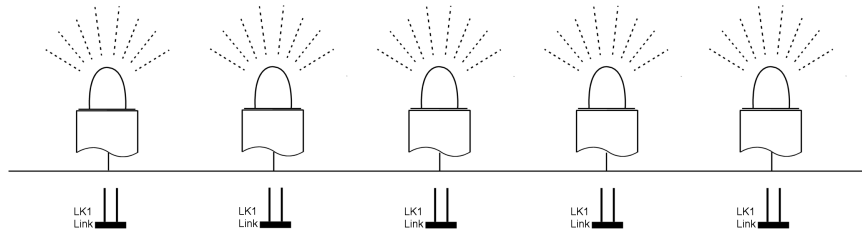
All dimensions are in millimetres.



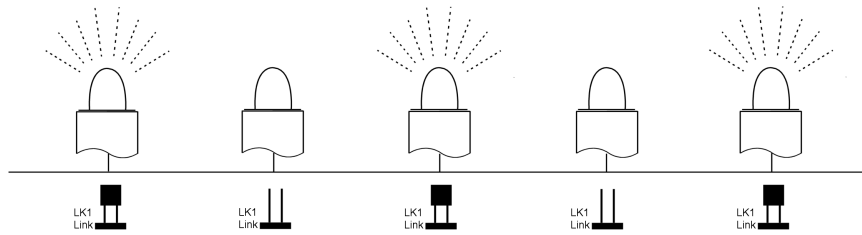
Also available :

- BEx(D)S110 & 120 EEx d & EEx de sounder units.
- Programmable versions with 45 tones and 4 stages.
- BEx(D)A110 & A120 EEx d & EEx de Voice Annunciation units.
- BExBG EEx d & EEx de 10 & 15 Joule Xenon beacons
- BEx(D)L15 & 25 watt EEx d & EEx de loudspeakers.
- BEx(D)TS110 & BExTBG05 EEx d Telephone ringers and beacons.

Synchronised mode.



Flip-Flop (alternating) mode.



Multiple-unit configurations are available on stainless mounting plates.
Combine 2, 3 or 4 devices - alarm sounders, loudspeakers, beacons.
If required, units can be pre-wired to minimise installation time.

Ordering code :

BExBG05

D

24DC

AM

Product
BExBG05

Housing	
D	EEx d IIC
E	EEx de IIC

Voltage
12DC
24DC
48DC
115AC
230AC

Lens	
AM	Amber
BL	Blue
CL	Clear
GN	Green
RD	Red
YW	Yellow