

BExBG15D & E ATEX EEx 15 Joule Hazardous Area Xenon Warning Beacons



- 15 Joule Xenon : 1Hz (60 FPM) (15 Ws).
- BExBG15D : EEx d IIC T4 (Tamb. -50 to +55°C)
EEx d IIC T5 (Tamb. -50 to +40°C)
- BExBG15E : EEx de IIC T4 (Tamb. -50 to +55°C)
EEx de IIC T5 (Tamb. -50 to +40°C)
- ATEX / CENELEC / FTZU / IECEx / GOST R
- Suitable for Zone 1, 2, 21 & 22 Gas Groups IIC IIB & IIA
- Voltages : 24vdc; 48vdc; 115vac; 230vac
- Six lens colours available : Amber, Blue, Clear, Green, Red & Yellow
- Automatic synchronisation on multi-beacon systems
- Beacons can be set to 'flip-flop' alternating mode with other units on multi-beacon systems
- Tube life : emissions reduced to 70% after 8 million flashes
- Xenon tubes mechanically secured against shock/vibration
- BExBG15D : IP67 BExBG15E : IP66
- Enclosure material : Marine grade LM6 Aluminium
- Chromated & powder coated finish - good resistance to humidity and salt spray environments.
- Glass lens & Stainless Steel guard.
- Colour available : Red (RAL3000)
- Operating temperature : -50 to +55°C (EExd IIC T4)
-50 to +40°C (EExd IIC T5)
- Storage temperature : -50 to +70°C
- Large range of certified end of line resistors.
- Weight : DC:2.45kg AC: 2.75kg
- KEMA Certificate number : 00ATEX2006 X



BExBG15D & BExBG15E
Flameproof & Dust ignition proof beacons
Zones 1, 2, 21 & 22

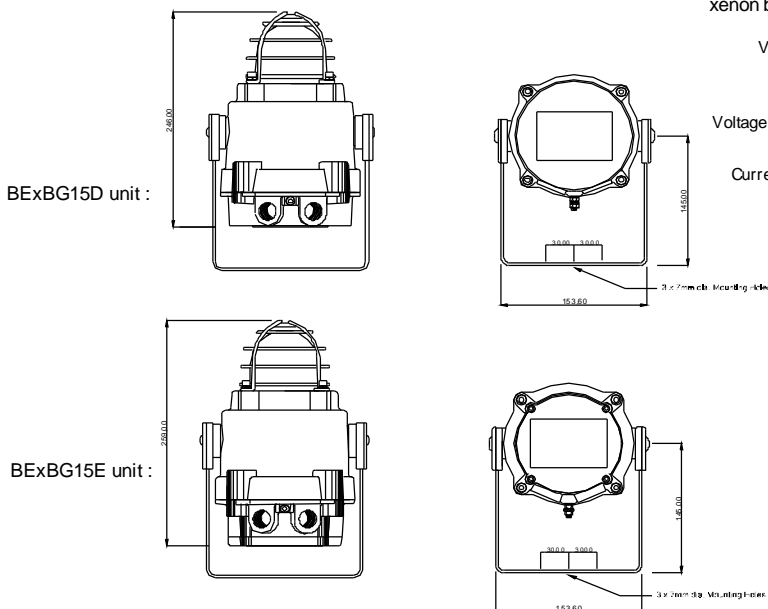
- II 2G/D EEx d IIC T4 T135°C
- II 2G/D EEx d IIC T5 T100°C
- II 2G/D EEx de IIC T4 T135°C
- II 2G/D EEx de IIC T5 T100°C

Installation Features.

- Very large termination area.
- Dual M20 ISO cable gland entries (supplied with one stopping plug).
- Ratchet adjustable stainless steel 'U' bracket for positive adjustment under harsh conditions.
- IN & OUT terminals
- Terminals accept 0.5 to 4.0mm² cables.
- Line monitoring : Min. 500 Ohm 2w, or 3k3 Ohm 0.5w resistor, or diode within EExd enclosure (dc versions)

Input voltages and current consumption for the BExBG15D & BExBG15E xenon beacons:

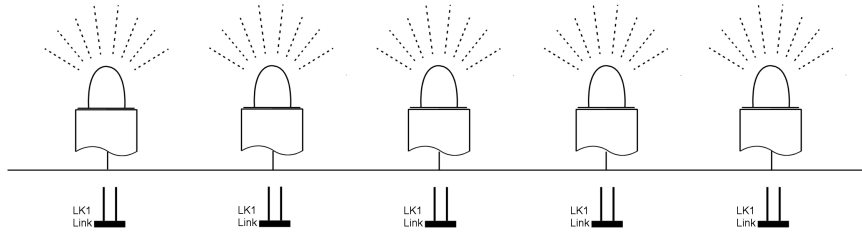
Voltage :	24vdc	48vdc	115vac 50/60Hz	230vac 50/60Hz
Voltage range :	20-28v	42-54v	+/-10%	+/-10%
Current mA :	860mA	480mA	360mA	170mA



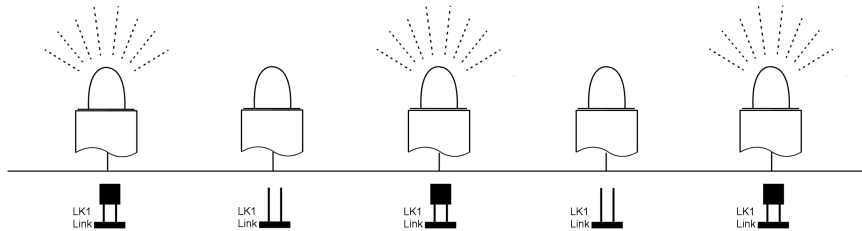
Also available :

- BEx(D)S110 & 120 EEx d & EEx de sounder units.
- Programmable versions with 45 tones and 4 stages.
- BEx(D)A110 & A120 EEx d & EEx de Voice Annunciation units.
- BExBG EEx d & EEx de 5 & 10 Joule Xenon beacons
- BEx(D)L15 & 25 watt EEx d & EEx de loudspeakers.
- BEx(D)TS110 & BExTBG05 EEx d Telephone ringers and beacons.

Synchronised mode.



Flip-Flop (alternating) mode.



Multiple-unit configurations are available on stainless mounting plates.
Combine 2, 3 or 4 devices - alarm sounders, loudspeakers, beacons.
If required, units can be pre-wired to minimise installation time.

Ordering code :

BExBG15

D

24DC

AM

Product
BExBG15

Housing
D EEx d IIC
E EEx de IIC

Voltage
24DC
48DC
115AC
230AC

Lens
AM Amber
BL Blue
CL Clear
GN Green
RD Red
YW Yellow

SAFETY WARNING The BExBG10D & BExBG10E 10 joule & BExBG15D & BExBG15E 15 joule beacons must be mounted with their flashdomes in a position between upright & 90°.

TSP2409-C

Page 2 of 2

No liability is accepted for any consequence of the use of this document.
The technical specification of this unit is subject to change without notice due to our policy of continual product development. All dimensions are approximate. This unit is sold subject to our standard conditions of sale, a copy of which is available on request.

Comsec Protection Systems Ltd., Unit 26, Stadium Business Park,
Ballycoolin Road, Dublin 11
PHONE: (01) 8853008 - FAX: +353 (01) 8853007
EMAIL: info@comsec.ie - WEB: <http://www.comsec.ie>