

TECHNICAL SPECIFICATION

BExCS110-05D & BExDCS110-05D ATEX EEx Combined Alarm Sounder & Beacon



- CS110-05D : EEx d IIB T4 (Tamb. -50 to +55°C)
- ATEX/ CENELEC / FTZU / IECEx / GOST R
- Voltages : 12vdc;24vdc;48vdc;115vac;230vac

Sounder.

- Maximum output : 117dB(A) @ 1 metre
- Nominal output : 110dB(A) @ 1m +/- 3dB - Tone 2.
- 32 alarm tones (UKOOA/PFEER compliant)
- 3 stage alarm
- Volume control (except 12vdc unit)
- Automatic synchronisation on multi-sounder systems
- 100m effective range @ 1kHz
- Negative or positive remote switching

Beacon.

- 5 Joule Xenon : 1Hz (60 FPM) (5 Ws).
- Six lens colours available : Amber, Blue, Clear, Green, Red & Yellow
- Automatic synchronisation on multi-beacon systems
- Beacons can be set to 'flip-flop' alternating mode with other units on multi-beacon systems
- Tube life : emissions reduced to 70% after 8 million flashes
- Xenon tubes mechanically secured against shock/vibration

- CS110-05D : IP67
- Enclosure material : Marine grade LM6 Aluminium
- Chromated & powder coated finish - good resistance to humidity and salt spray environments.
- BExCS110-05D Horn : High impact UL94 V0 & 5VA FR ABS
- BExDCS110-05D Horn : Anti-Static High impact ABS
- Operating temperature : -50 to +55°C
- Storage temperature : -50 to +70°C
- Large range of certified end of line resistors.
- Weight : DC:4.80kg AC: 5.00kg
- KEMA Certificate number : 01ATEX2223



BExCS110-05D

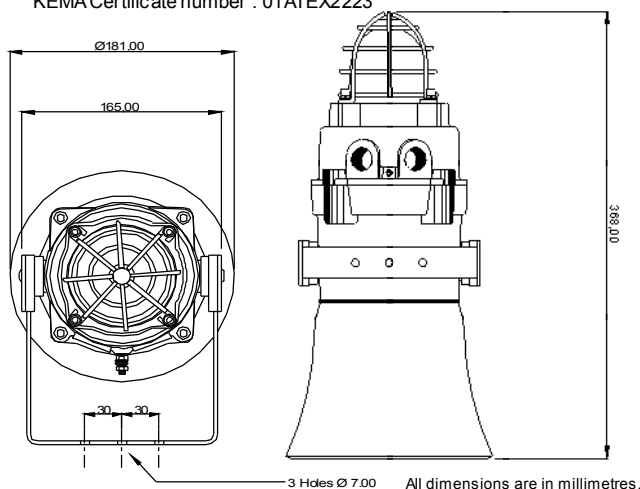
Flameproof combination sounders & beacons
Zones 1 & 2
⊕ II 2G EEx d IIB T4

BExDCS110-05D

Flameproof & Dust ignition proof combination sounders & beacons
Zones 1, 2, 21 & 22
⊕ II 2GD EEx d IIB T4 T100°C

Installation Features.

- Very large termination area.
- Dual M20 ISO cable gland entries (supplied with one stopping plug).
- Ratchet adjustable stainless steel 'U' bracket for positive adjustment under harsh conditions.
- IN & OUT terminals
- Terminals accept 0.5 to 4.0mm² cables.
- Line monitoring : Min. 500 Ohm 2w, or 3k3 Ohm 0.5w resistor, or diode within EExd enclosure (dc versions)
- Sounder & beacon may be connected from a single supply for simultaneous operation or from separate supplies for independent operation.



Input voltages and current consumption for the sounder component:

Voltage :	12vdc	24vdc	48vdc	115vac 50/60Hz	230vac 50/60Hz
Voltage range :	+/-25%	+/-25%	+/-25%	+/-10%	+/-10%
Current mA :	195mA	250mA	130mA	140mA	56mA

Input voltages and current consumption for the beacon component:

Voltage :	12vdc	24vdc	48vdc	115vac 50/60Hz	230vac 50/60Hz
Voltage range :	10-14v	20-28v	42-54v	+/-10%	+/-10%
Current mA :	750mA	270mA	180mA	140mA	55mA

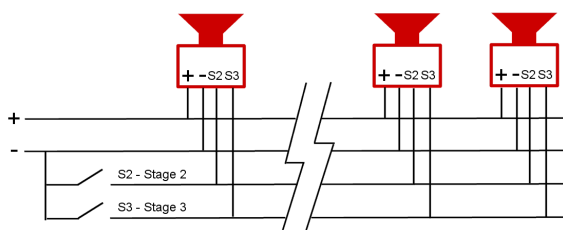
Also available :

- BEx(D)S110 & S120 EEx d & EEx de sounder units with output levels of 117dB(A)
- Programmable versions with 45 tones and 4 stages.
- BEx(D)A110 & A120 EEx d & EEx de Voice Annunciation units.
- BExBG EEx d & EEx de 5, 10 & 15 Joule Xenon beacons
- BEx(D)L15 & 25 watt EEx d & EEx de loudspeakers.
- BEx(D)TS110 & BExTBG05 EEx d Telephone ringers and beacons.

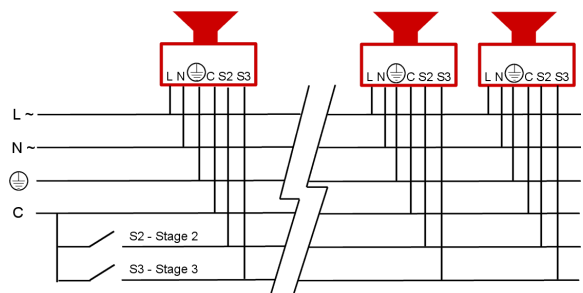
Stage 1	Frequency Description	Max dB@ 1m	Stage 2	Stage 3
Tone 1	1000Hz Continuous - PFEER Toxic Gas	110dB(A)@1m	Tone 31	Tone 11
Tone 2	800/1000Hz @ 0.25 sec Alternating	110dB(A)@1m	Tone 17	Tone 5
Tone 3	500/1200Hz @ 0.3Hz 0.5 sec Slow Whoop	110.5dB(A)@1m	Tone 2	Tone 5
Tone 4	800/1000Hz @ 1Hz Sw eeping	110dB(A)@1m	Tone 6	Tone 5
Tone 5	2400Hz Continuous	109dB(A)@1m	Tone 3	Tone 27
Tone 6	2400/2900Hz @ 7Hz Sweeping	109dB(A)@1m	Tone 7	Tone 5
Tone 7	2400/2900Hz @ 1Hz Sweeping	110dB(A)@1m	Tone 10	Tone 5
Tone 8	500/1200/500Hz @ 0.3Hz Sweeping	110.5dB(A)@1m	Tone 2	Tone 5
Tone 9	1200/500Hz @ 1Hz - DIN / PFEER P.T.A.P.	110.5dB(A)@1m	Tone 15	Tone 2
Tone 10	2400/2900Hz @ 2Hz Alternating	109dB(A)@1m	Tone 7	Tone 5
Tone 11	1000Hz @ 0.5Hz Intermittent	110dB(A)@1m	Tone 31	Tone 1
Tone 12	800/1000Hz @ 0.875Hz Alternating	110dB(A)@1m	Tone 4	Tone 5
Tone 13	2400Hz @ 1Hz Intermittent	109dB(A)@1m	Tone 15	Tone 5
Tone 14	800Hz 0.25sec on, 1 sec off Intermittent	103dB(A)@1m	Tone 4	Tone 5
Tone 15	800Hz Continuous	103dB(A)@1m	Tone 2	Tone 5
Tone 16	660Hz 150mS on, 150mS off Intermittent	104dB(A)@1m	Tone 18	Tone 5
Tone 17	544Hz (100mS)/440Hz (400mS) - NF S 32-001	107dB(A)@1m	Tone 2	Tone 27
Tone 18	660Hz 1.8sec on, 1.8sec off Intermittent	105dB(A)@1m	Tone 2	Tone 5
Tone 19	1.4KHz-1.6KHz 1s, 1.6KHz-1.4KHz 0.5s -NFC48-265	117dB(A)@1m	Tone 2	Tone 5
Tone 20	660Hz Continuous	104dB(A)@1m	Tone 2	Tone 5
Tone 21	554Hz/440Hz @ 1Hz Alternating	107dB(A)@1m	Tone 2	Tone 5
Tone 22	544Hz @ 0.875 sec. Intermittent	107dB(A)@1m	Tone 2	Tone 5
Tone 23	800Hz @ 2Hz Intermittent	103dB(A)@1m	Tone 6	Tone 5
Tone 24	800/1000Hz @ 50Hz Sweeping	107dB(A)@1m	Tone 29	Tone 5
Tone 25	2400/2900Hz @ 50Hz Sw eeping	109dB(A)@1m	Tone 29	Tone 5
Tone 26	Bell	117dB(A)@1m	Tone 2	Tone 1
Tone 27	554Hz Continuous	107dB(A)@1m	Tone 26	Tone 5
Tone 28	440Hz Continuous	104dB(A)@1m	Tone 2	Tone 5
Tone 29	800/1000Hz @ 7Hz Sw eeping	106dB(A)@1m	Tone 7	Tone 5
Tone 30	420Hz @ 0.625 sec Intermittent - Australian Alert	104dB(A)@1m	Tone 32	Tone 5
Tone 31	1200/500Hz @ 1Hz - DIN / PFEER P.T.A.P.	110.5dB(A)@1m	Tone 11	Tone 1
Tone 32	500-1200Hz 3.75sec /0.25sec. - Australian Evac.	110.5dB(A)@1m	Tone 26	Tone 1

Note: SPL readings are at nominal voltage, typically +/-3dB and are for indication purposes only. Where applicable, reduce outputs by 5dB when a 10-30Vdc unit is supplied 12Vdc.

DC unit wiring configuration.



AC unit wiring configuration.



Ordering code :

BExCS110-05D

24

DC

AM

Product
BExCS110-05D
BExDCS110-05D

Voltage
12
24
48
115
230

Supply
DC
AC

Lens
AM Amber
BL Blue
CL Clear
GN Green
RD Red
YW Yellow

N.B IMPORTANT NOTICE : THE BExCS110-05D, BExCA110-05D, BExCL15-05D, BExCBG05-05D ARE NOT FOR SALE, RE-SALE, INSTALLATION, OR USE WITHIN THE UNITED STATES OF AMERICA AS A SOLE, MULTIPLE, INTEGRATED, OR INCORPORATED UNIT.

TSP2412-B

No liability is accepted for any consequence of the use of this document. The technical specification of this unit is subject to change without notice due to our policy of continual product development. All dimensions are approximate. This unit is sold subject to our standard conditions of sale, a copy of which is available on request.

Comsec Protection Systems Ltd., Unit 26, Stadium Business Park, Ballycoolin Road, Dublin 11
 PHONE: (01) 8853008 - FAX: +353 (01) 8853007
 EMAIL: info@comsec.ie - WEB: http://www.comsec.ie