

# SONF1 / SONFL1 Sonora Alarm Sounder / Combination unit



**comsec**  
protection systems



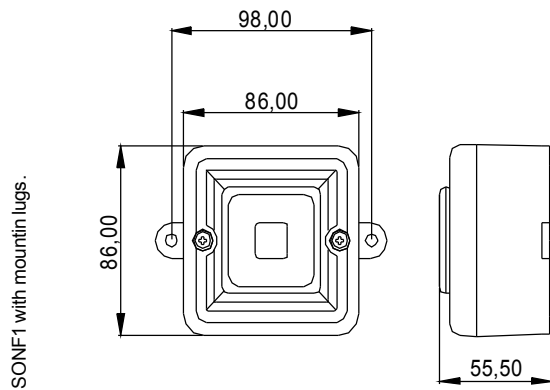
A continuously rated compact sounder, ideal for fire and security applications.  
(Shown without mounting lugs)

- Nominal output: 100dB(A) @ 1m +/-3dB, Tone 2
- 10 alarm tones
- 2 stage alarm option
- Volume control
- Automatic synchronisation on multi-sounder systems
- 32m effective range @ 1KHz
- Voltages: 24vdc(10-30vdc).
- Other voltages available upon request
- Reverse polarity diode protection.
- IP55 - can be increased to IP56 (dust protected, watertight) with WR kit.
- Tropicalisation available on request.
- Enclosure material: UL94V0 & 5VA rated FR ABS
- Colour available: Red (RAL3000), Grey or White.
- Operating temperature: -25 to +55°C
- Storage temperature: -40 to +70°C
- Relative humidity: 90% at 20°C
- Weight: 0.26Kg
- VdS approved to EN54-3 (CPD 89/106/EEC)
- UL approved version available.

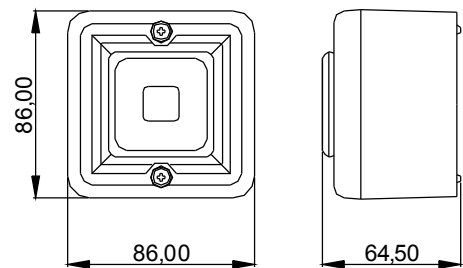
- 4 x gland knockouts in side & back.
- Mounting via internal BESA compatible fixing positions.
- All units offer IN and OUT terminals
- Terminals accept 0.5 to 2.5mm<sup>2</sup> cables.

Input voltages and current consumption for the SONF1 sounder.	Voltage :	24vdc
	Voltage range :	10-30vdc
	Current mA :	25mA

Input voltages and current consumption for the SONFL1 combination sounder & xenon strobe beacon.	Voltage :	12vdc	24vdc
	Voltage range :	10-14vdc	20-28vdc
	Current mA :	525mA	275mA



SONF1 without mounting lugs.

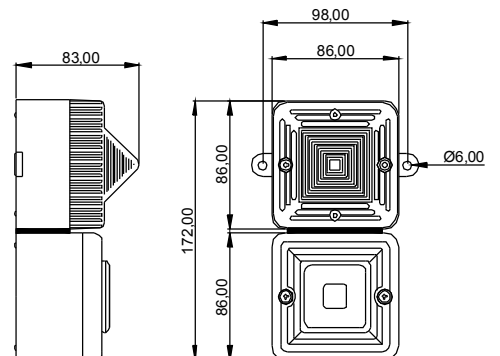


All dimensions are in millimetres.

Can be ordered with the L101 AlertAight Beacon to create the SONFL1 combination unit.  
Units can be operated individually or linked for complete audio visual signalling.  
See the L101 Technical Specification sheet for details on the beacon.



SONFL1 Dimensions.

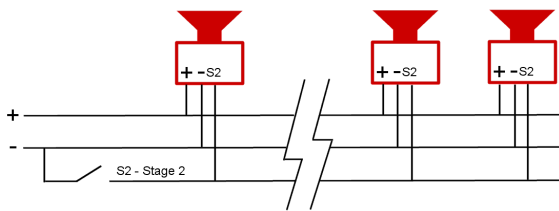


Stage1 tone	Frequency Description	SONF1 dB@ 1m		Stage2 (S2)
Tone 1	800/1000Hz @ 0.25 sec Alternating	99dB(A) @1m		Tone 8
Tone 2	500/1200Hz @ 0.3Hz 0.5 sec Slow Whoop	100dB(A) @ 1m		Tone 1
Tone 3	1200/500Hz @ 1Hz - DIN / PFEER P.T.A.P.	99dB(A) @ 1m		Tone 8
Tone 4	544Hz (100mS)/440Hz (400mS) - NF S 32-001	97dB(A) @ 1m		Tone 9
Tone 5	Bell	95dB(A) @1m		Tone 1
Tone 6	800/1000Hz @ 7Hz Sweeping	99dB(A) @1m		Tone 8
Tone 7	500-1200Hz 3.75sec /0.25sec. Australian Evac.	100dB(A) @ 1m		Tone 10
Tone 8	1000Hz Continuous - PFEER Toxic Gas	100dB(A) @ 1m		-
Tone 9	554Hz Continuous	97dB(A) @1m		-
Tone 10	420Hz @ 0.625 sec Australian Alert	97dB(A) @ 1m		-

Note: SPL readings are at nominal voltage, typically +/-3dB and are for indication purposes only. Where applicable, reduce outputs by 5dB when a 10-30vdc unit is supplied 12vdc.

EN54-3 tested frequencies: Tone 1, 2, 3, 4, 8 and 9.

DC unit wiring configuration.



Ordering code :

<u>SONF1</u>	<u>DC</u>	<u>24</u>	<u>R</u>	/	<u>R*</u>	*=If applicable
Product SONF1 SONFL1	Supply DC	Voltage 12 24	Housing R Red W White G Grey		Lens A Amber B Blue C Clear G Green O Opal R Red Y Yellow	