

E2xCS112-05 Combined Alarm Horn Sounder & Xenon Beacon



- Nominal output : 110dB(A) @ 1m +/-3dB, Tone 2
- 45 alarm tones (UKOOA/PFEER compliant)
- 3 stage alarm option
- Volume control
- Automatic synchronisation on multi-sounder systems
- 100m effective range @ 1kHz
- Beacon : 5 Joule @ 1Hz (5 Ws).
- Automatic synchronised flash, or Flip-Flop alternating mode
- 6 lens colours available
Red, Amber, Blue, Green, Yellow & Clear.
- Xenon tube mechanically secured against vibration/shock.
- User replaceable Xenon tube assembly.
- Voltages : 24vdc; 48vdc; 120vac; 230vac
- Borosilicate glass dome.
- Stainless Steel dome guard as standard
- Enclosure material : UL94V0 PPS
- Weight : DC: 3.00Kg AC: 3.50Kg
- ATEX: IP66 & IP67
- UL: Type 4, 4X & 13

- ATEX: E2xCS112-05EG
Zone 2 Ⓢ II 3G EEx nA nL IIC T2 (Tamb -20°C to +55°C)
Zone 2 Ⓢ II 3G EEx nA nL IIC T3 (Tamb -20°C to +40°C)
Cert: DEMKO 06 ATEX 0421554
- UL: E2xCS112-05UL
Class I, Division 2, Groups A,B,C,D T2D (215°C) (at +55°C)
Class I, Division 2, Groups A,B,C,D T3 (200°C) (at +40°C)
Class II, Division 2, Groups F & G T6 (85°C)
Class III, Division 1, T6 (85°C)
File: E230764



A heavy duty high output alarm sounder & beacon, ideal for hazardous environments with high ambient noise levels also requiring a visual indicator.

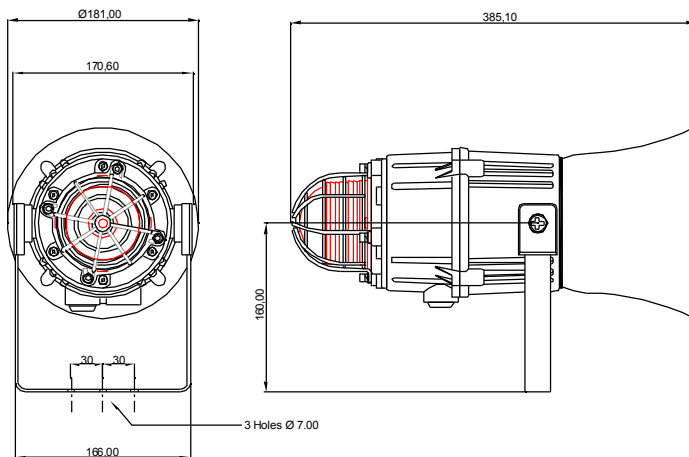
- Large termination area
- ATEX: 2 x M20 ISO cable gland entries (with 1 blanking plug).
- UL: 1 x 1/2"NPT cable gland entry with flying leads (0.5m)
- Ratchet adjustable stainless steel 'U' bracket for 360° positioning.
- ATEX 'EG' units offer IN & OUT terminals
- ATEX 'EG' unit terminals accept 0.5 to 2.5mm² cables.

Input voltages and current consumption for the E2xCS112-05 beacon component.

Voltage :	24vdc	48vdc	120vac	230vac
			50/60Hz	50/60Hz
Voltage range :	20-28v	42-58v	+/-10%	+/-10%
Current mA :	275mA	145mA	80mA	30mA

Input voltages and current consumption for the E2xCS112-05 sounder component.

Voltage :	24vdc	48vdc	120vac	230vac
			50/60Hz	50/60Hz
Voltage range :	10-30vdc	38-58vdc	+/-10%	+/-10%
Current mA :	284mA	146mA	104mA	54mA



All dimensions are in millimetres.

Also available :

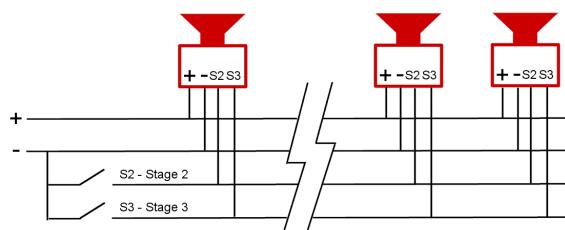
- E2xB05 & E2xB10 5 and 10 Joule xenon beacons
- E2xS112 Alarm sounders
- E2xS121 High output alarm sounders
- E2xL15 15 watt PA loudspeakers



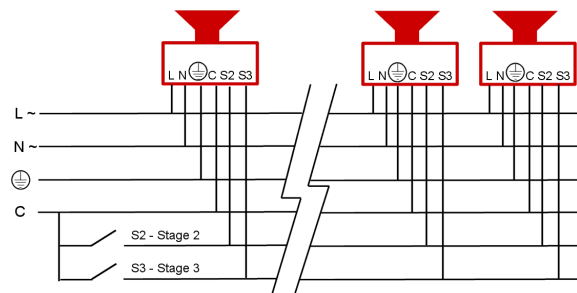
Stage 1	Frequency Description	dB @ 1m	Stage 2	Stage 3
Tone 1	340 Hz Continuous	107dB(A) @ 1m	Tone 2	Tone 5
Tone 2	800/1000Hz @ 0.25 sec Alternating	112dB(A) @ 1m	Tone 17	Tone 5
Tone 3	500/1200Hz @ 0.3Hz 0.5 sec Slow Whoop	113dB(A) @ 1m	Tone 2	Tone 5
Tone 4	800/1000Hz @ 1Hz Sw eeping	113dB(A) @ 1m	Tone 6	Tone 5
Tone 5	2400Hz Continuous	119dB(A) @ 1m	Tone 3	Tone 20
Tone 6	2400/2900Hz @ 7Hz Sw eeping	116dB(A) @ 1m	Tone 7	Tone 5
Tone 7	2400/2900Hz @ 1Hz Sw eeping	116dB(A) @ 1m	Tone 10	Tone 5
Tone 8	500/1200/500Hz @ 0.3Hz Sw eeping	113dB(A) @ 1m	Tone 2	Tone 5
Tone 9	1200/500Hz @ 1Hz - DIN / PFEER P.T.A.P.	113dB(A) @ 1m	Tone 15	Tone 2
Tone 10	2400/2900Hz @ 2Hz Alternating	119dB(A) @ 1m	Tone 7	Tone 5
Tone 11	1000Hz @ 1Hz Intermittent	112dB(A) @ 1m	Tone 2	Tone 5
Tone 12	800/1000Hz @ 0.875Hz Alternating	112dB(A) @ 1m	Tone 4	Tone 5
Tone 13	2400Hz @ 1Hz Intermittent	119dB(A) @ 1m	Tone 15	Tone 5
Tone 14	800Hz 0.25sec on, 1 sec off Intermittent	113dB(A) @ 1m	Tone 4	Tone 5
Tone 15	800Hz Continuous	113dB(A) @ 1m	Tone 2	Tone 5
Tone 16	660Hz 150mS on, 150mS off Intermittent	109dB(A) @ 1m	Tone 18	Tone 5
Tone 17	544Hz (100mS)/440Hz (400mS) - NF S 32-001	109dB(A) @ 1m	Tone 2	Tone 27
Tone 18	660Hz 1.8sec on, 1.8sec off Intermittent	109dB(A) @ 1m	Tone 2	Tone 5
Tone 19	1.4KHz-1.6KHz 1s, 1.6KHz-1.4KHz 0.5s -NFC48-265	114dB(A) @ 1m	Tone 2	Tone 5
Tone 20	660Hz Continuous	109dB(A) @ 1m	Tone 2	Tone 5
Tone 21	554Hz/440Hz @ 1Hz Alternating	109dB(A) @ 1m	Tone 2	Tone 5
Tone 22	544Hz @ 0.875 sec. Intermittent	109dB(A) @ 1m	Tone 2	Tone 5
Tone 23	800Hz @ 2Hz Intermittent	113dB(A) @ 1m	Tone 6	Tone 5
Tone 24	800/1000Hz @ 50Hz Sw eeping	112dB(A) @ 1m	Tone 29	Tone 5
Tone 25	2400/2900Hz @ 50Hz Sw eeping	116dB(A) @ 1m	Tone 29	Tone 5
Tone 26	Bell	108dB(A) @ 1m	Tone 2	Tone 15
Tone 27	554Hz Continuous	109dB(A) @ 1m	Tone 26	Tone 5
Tone 28	440Hz Continuous	106dB(A) @ 1m	Tone 2	Tone 5
Tone 29	800/1000Hz @ 7Hz Sw eeping	112dB(A) @ 1m	Tone 7	Tone 5
Tone 30	300Hz Continuous	107dB(A) @ 1m	Tone 2	Tone 5
Tone 31	660/1200Hz @ 1Hz Sw eeping	112dB(A) @ 1m	Tone 26	Tone 5
Tone 32	Two tone chime.	108dB(A) @ 1m	Tone 26	Tone 15
Tone 33	745Hz @ 1Hz Intermittent	109dB(A) @ 1m	Tone 2	Tone 5
Tone 34	1000 & 2000Hz @ 0.5 sec Alternating - Singapore	114dB(A) @ 1m	Tone 38	Tone 45
Tone 35	420Hz @ 0.625 sec Australian Alert	108dB(A) @ 1m	Tone 36	Tone 5
Tone 36	500-1200Hz 3.75sec /0.25sec. Australian Evac.	113dB(A) @ 1m	Tone 35	Tone 5
Tone 37	1000Hz Continuous - PFEER Toxic Gas	112dB(A) @ 1m	Tone 9	Tone 45
Tone 38	2000Hz Continuous	116dB(A) @ 1m	Tone 34	Tone 45
Tone 39	800Hz 0.25sec on, 1 sec off Intermittent	113dB(A) @ 1m	Tone 23	Tone 17
Tone 40	544Hz (100mS)/440Hz (400mS) - NF S 32-001	112dB(A) @ 1m	Tone 31	Tone 27
Tone 41	Motor Siren - slow rise to 1200 Hz	113dB(A) @ 1m	Tone 2	Tone 5
Tone 42	Motor Siren - slow rise to 800 Hz	114dB(A) @ 1m	Tone 2	Tone 5
Tone 43	1200 Hz Continuous	113dB(A) @ 1m	Tone 2	Tone 5
Tone 44	Motor Siren - slow rise to 2400 Hz	118dB(A) @ 1m	Tone 2	Tone 5
Tone 45	1KHz 1s on, 1s off Intermittent - PFEER Gen. Alarm	112dB(A) @ 1m	Tone 38	Tone 34

Note: SPL readings are at nominal voltage, typically +/-3dB and are for indication purposes only. Where applicable, reduce outputs by 5dB when a 10-30Vdc unit is supplied 12Vdc.

DC unit wiring configuration.



AC unit wiring configuration.



Ordering code :

<u>E2xCS112-05</u>	<u>EG</u>	<u>24DC</u>	<u>RD</u>
Product	Type	Voltage	Lens
E2xCS112-05	EG	12DC	AM Amber
	UL	24DC	BL Blue
		48DC	CL Clear
		115AC	GN Green
		230AC	RD Red
			YW Yellow