

# MB005 & MB010 Marine IP67 5 & 10 Joule Xenon Strobe Beacons

- MB005 : 5 Joule @ 1Hz (5 Ws).
- MB010 : 10 Joule @ 1Hz (10 Ws).
- Automatic synchronised flash, or Flip-Flop alternating mode
- 6 lens colours available
- Xenon tube mechanically secured against vibration/shock.
- Voltages : 12vdc; 24vdc; 48vdc; 24vac; 115vac; 230vac
- Other voltages available upon request.
- Reverse polarity protection on DC units
- Borosilicate glass dome with optically enhanced prosmatic lens cover
- Stainless Steel dome guard as standard
- Third party tested to IP67 & IP66
- Enclosure material : UL94V0 & 5VA rated FR ABS
- Colour available : Grey (RAL7038)
- Operating temperature : -25 to +55°C
- Storage temperature : -40 to +70°C
- Relative humidity : 90% at 20°C
- Weight : 1.48Kg



A heavy duty high output IP67 sealed beacon, ideal for harsh environments.

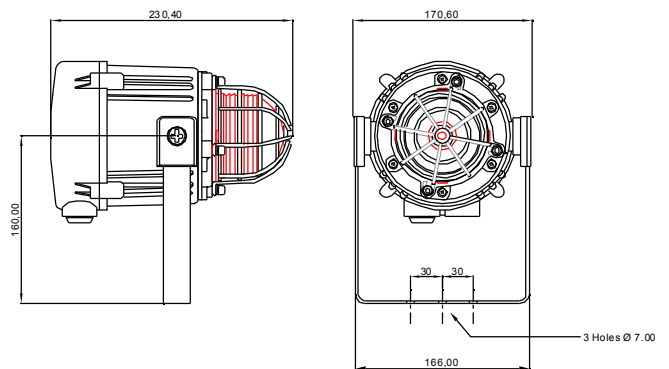
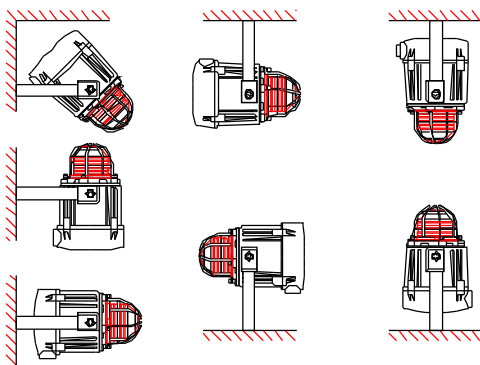
### Input voltages and current consumption for the MB005 5 Joule beacon.

Voltage :	12vdc	24vdc	48vdc	115vac 50/60Hz	230vac 50/60Hz
Voltage range :	10-14v	20-28v	42-54v	+/-10%	+/-10%
Current mA :	550mA	300mA	180mA	140mA	55mA

### Input voltages and current consumption for the MB010 10 Joule beacon.

Voltage :	12vdc	24vdc	48vdc	115vac 50/60Hz	230vac 50/60Hz
Voltage range :	10-14v	20-28v	42-54v	+/-10%	+/-10%
Current mA :	1145mA	660mA	340mA	250mA	125mA

- Large termination area
- 2 x M20 ISO cable gland entries (with 1 blanking plug).
- Ratchet adjustable stainless steel 'U' bracket for 360° positioning.
- All units offer IN & OUT terminals
- Terminals accept 0.5 to 4.0mm<sup>2</sup> cables.



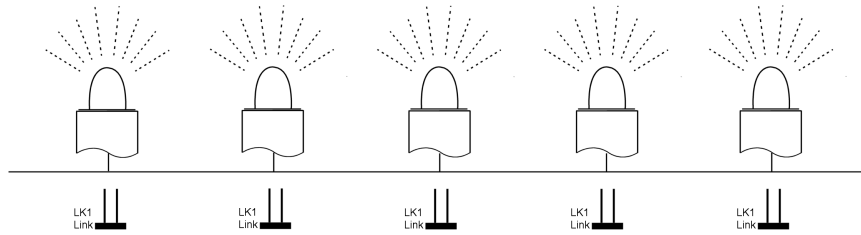
All dimensions are in millimetres.

Also available :

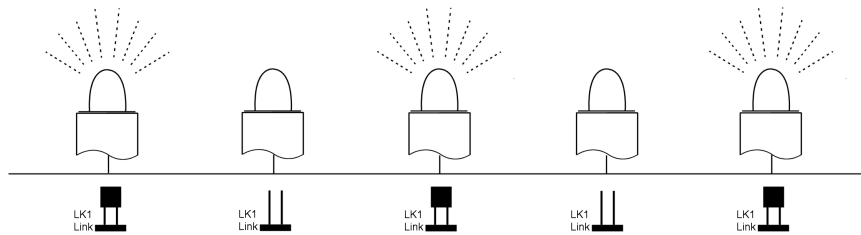
- **ML15** 15w & **ML25** 25w marine loudspeaker
- **MA112** & **MA121** high output marine sounders
- **MCA112-05** combined sounder & beacon.
- **MCB005-05** 5 Joule dual marine beacons
- **MV112** high output marine voice annunciation unit



Synchronised mode.



Flip-Flop (alternating) mode.



Ordering code :

	<u>MB005</u>	<u>DC</u>	<u>24</u>	<u>G</u>	/	<u>R</u>
	Product	Supply	Voltage	Housing		Lens
	MB005	DC	12	G		A Amber
	MB010	AC	24	Grey		B Blue
			48			C Clear
			115			G Green
			230			R Red
						Y Yellow