

# MBL1 Marine IP67

## High Output L.E.D Beacon/Status Light



**comsec**  
protection systems



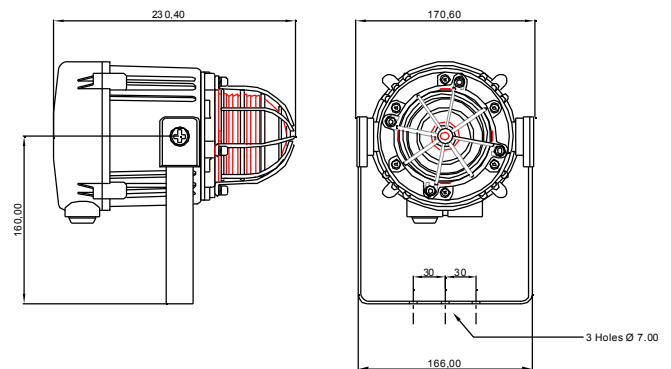
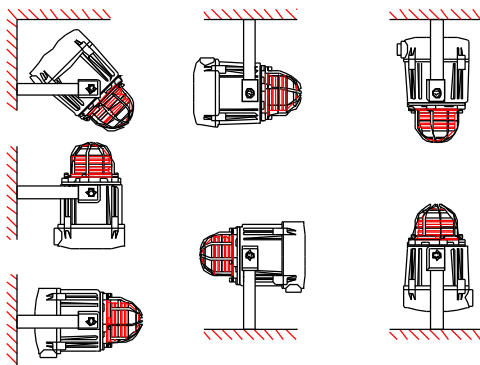
- Array of 32 High Output L.E.D's.
- Colours: Amber, Blue, Green and Red.
- Total of 9 operation modes:  
4 rotating configurations  
4 flashing configurations  
Steady mode for indicator / status applications
- 3 stage beacon  
Remotely selectable 2nd and 3rd stage modes
- Voltages : 24vdc (10-50vdc); 24vac; 115vac; 230vac
- Borosilicate glass dome with optically enhanced prismatic lens cover
- Stainless Steel dome guard as standard
- Third party tested to IP67 & IP66
- Enclosure material : UL94V0 & 5VA rated FR ABS
- Colour available : Grey (RAL7038)
- Operating temperature : -25 to +55°C
- Storage temperature : -40 to +70°C
- Relative humidity : 90% at 20°C
- Weight : 1.48Kg

A heavy duty high output IP67 sealed beacon, ideal for harsh environments.

- Large termination area
- 2 x M20 ISO cable gland entries (with 1 blanking plug).
- Ratchet adjustable stainless steel 'U' bracket for 360° positioning.
- All units offer IN & OUT terminals
- Terminals accept 0.5 to 4.0mm<sup>2</sup> cables.

Input voltages and current consumption for the MBL1 beacon.

Voltage :	24vdc	48vdc	115vac	230vac	24vac
			50/60Hz	50/60Hz	50/60Hz
Voltage range :	10-50vdc	10-50vdc	+/-10%	+/-10%	+/-10%
Current mA :	400mA	230mA	140mA	70mA	380mA



All dimensions are in millimetres.

Also available :

- ML15 15w & ML25 25w** marine loudspeaker
- MA112 & MA121** high output marine sounders
- MCA112-05** combined sounder & beacon.
- MCB005-05** 5 Joule dual marine beacons
- MV112** high output marine voice annunciation unit



Configuration modes:

Mode	Stage 1	Stage 2	Stage 3
1	All on	9	8
2	Rotating 3 LED on Fast	7	1
3	Rotating 6 LED on Fast	8	1
4	Rotating 3 LED on Slow	9	1
5	Rotating 6 LED on Slow	6	1
6	Double strike strobe 1Hz	9	1
7	Single strike strobe 2Hz	3	1
8	Double strike strobe 2Hz	3	1
9	Alternate side flash 1:1 2Hz	3	1

Ordering code :

