

MCB005-05 Marine IP67 Dual 5 Joule Xenon Strobe Beacon

- 2 x 5 Joule @ 1Hz beacons (5 Ws)..
- Automatic synchronised flash, or Flip-Flop alternating mode
- 6 lens colours available
- Xenon tube mechanically secured against vibration/shock.
- Voltages : 12vdc; 24vdc; 48vdc; 24vac; 115vac; 230vac
- Other voltages available upon request.
- Reverse polarity protection on DC units
- Third party tested to IP67 & IP66
- Enclosure material : UL94V0 & 5VA rated FR ABS
- Borosilicate glass dome with optically enhanced prosmatic lens cover
- Stainless Steel dome guard as standard (not pictured)
- Colour available : Grey (RAL7038)
- Operating temperature : -25 to +55°C
- Storage temperature : -40 to +70°C
- Relative humidity : 90% at 20°C
- Weight : 2.00Kg



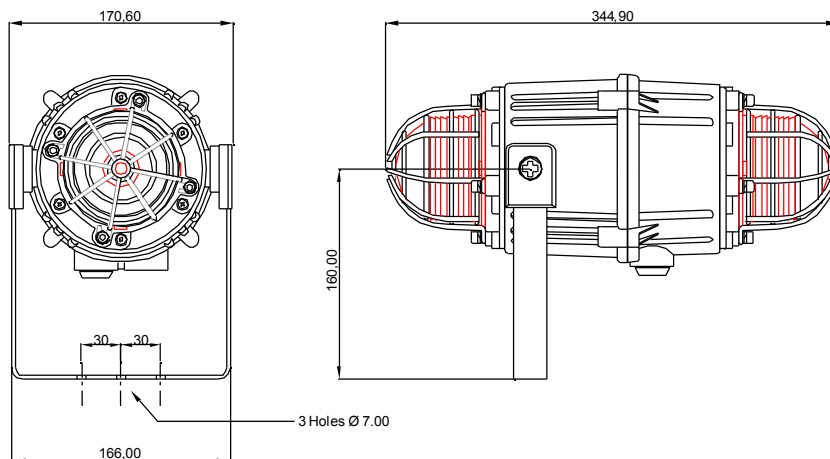
A heavy duty high output IP67 sealed dual beacon, ideal for harsh environments.

Input voltages and current consumption for the MCB005-05 dual 5 Joule beacon.

Current values quoted are per beacon.

Voltage :	12vdc	24vdc	48vdc	115vac	230vac
				50/60Hz	50/60Hz
Voltage range :	10-14v	20-28v	42-54v	+/- 10%	+/- 10%
Current mA :	550mA	300mA	180mA	140mA	55mA

- Large termination area
- 2 x M20 ISO cable gland entries (with 1 blanking plug).
- Ratchet adjustable stainless steel 'U' bracket for 360° positioning.
- All units offer IN & OUT terminals
- Terminals accept 0.5 to 4.0mm² cables.
- Beacons may use the same supply for simultaneous or separate supplies for independent operation.



All dimensions are in millimetres.

Also available :

- **ML15 15w & ML25 25w** marine loudspeaker
- **MA112 & MA121** high output marine sounders
- **MCA112-05** combined sounder & beacon.
- **MB005 & MB010** 5 & 10 Joule marine beacons
- **MV112** high output marine voice annunciation unit



Ordering code :

