

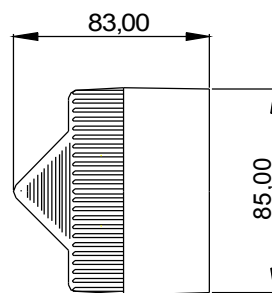
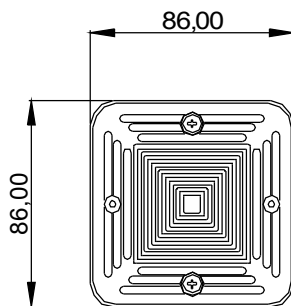
L101 AlertAlight Xenon Strobe Beacon



- 5 Joule @ 1Hz (5 Ws).
- 150 Candela output (clear lens)
- Optional 2.5 Joule @ 2Hz
- 7 lens colours available -
Amber, Blue, Clear, Green, Opal, Red, Yellow
- Tube life : 5 Million flashes (after which emissions reduced to 70%)
- Voltages: 12vdc; 24vdc; 48vdc; 12vac; 24vac; 48vac; 115vac; 230vac.
- Other voltages available upon request
- DC versions have reverse polarity protection.
- Mounting via internal BESA compatible fixing positions.
- Back box with mounting lugs also available.
- IP55 - can be increased to IP56 (dust protected, watertight) with WR kit.
- Tropicalisation available on request.
- Base enclosure material: UL94V0 & 5VA rated FR ABS
- Base colour available: Red (RAL3000), Grey or White.
- Lens material: Polycarbonate
- Operating temperature: -25 to +55°C
- Storage temperature: -40 to +70°C
- Relative humidity: 90% at 20°C
- Weight: 0.20Kg
- Terminals accept 0.5 to 4.0mm² cables.
- UL approved version available.



| | | | | | | | | |
|-----------------|--------|--------|--------|---------|---------|---------|---------|---------|
| Voltage : | 12vdc | 24vdc | 48vdc | 12vac | 24vac | 48vac | 115vac | 230vac |
| | | | | 50/60Hz | 50/60Hz | 50/60Hz | 50/60Hz | 50/60Hz |
| Voltage range : | 10-14v | 20-28v | 42-54v | +/-10% | +/-10% | +/-10% | +/-10% | +/-10% |
| Current mA : | 500mA | 250mA | 175mA | 380mA | 300mA | 250mA | 70mA | 35mA |

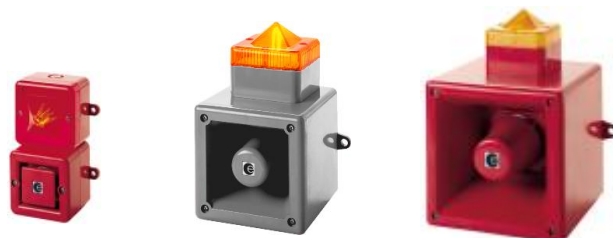


All dimensions are in millimetres.



Can be ordered with any of the **AlertAlarm** sounder range to create a combination unit.

Units can be operated individually or linked for complete audio visual signalling.

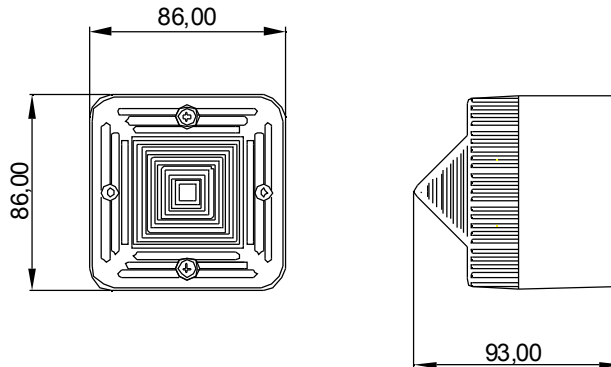


Ordering code :

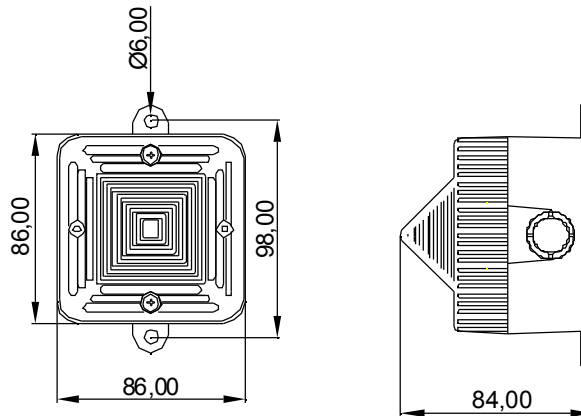
| | | | | | |
|----------------|---------------|----------------|----------------|-------|-------------|
| L101 | DC | 24 | R | / | R |
| Product | Supply | Voltage | Housing | | Lens |
| L101 | DC | 12 | R | Red | A Amber |
| | AC | 24 | W | White | B Blue |
| | | 48 | G | Grey | C Clear |
| | | 115 | | | G Green |
| | | 230 | | | O Opal |
| | | | | | R Red |
| | | | | | Y Yellow |

L101 Mounting box options:

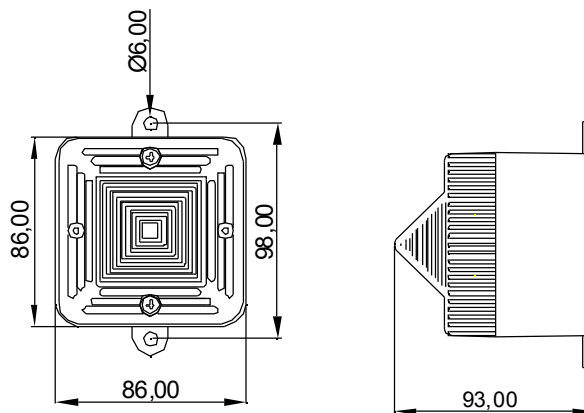
'Sonora' type back box:
3 x M20 knockouts
Example part no.: L101DC24SR/R



'A100' type back box:
2 x M20 knockouts
With mounting lugs.
Example part no.: L101DC24AR/R



'Multi-purpose' type back box:
Up to 2 x M20 knockouts
With mounting lugs
Example part no.: L101DC24MR/R



TSP0501-B