



PS1221.3

Designed to provide an early response to fast burning fires, the Z610-1 ionization detector features reliable sensing of both visible and invisible products of combustion, for a range of conventional fire alarm applications. The detectors advanced design and proven response make it effective in risk areas where materials such as oil, spirits, wood or paper may be stored.

The Z610-1 meets fully the sensitivity requirements of European Standard EN 54 Part 7 and is approved by several international approval bodies.

Featuring an advanced dual chamber, single source design, the detectors chamber arrangement automatically compensates for environmental changes such as atmospheric pressure, humidity and ambient temperature.

Great care has been taken to provide a detector that whilst effective in operation is unobtrusive when installed. The low profile moulding and options of either surface or recessed bases makes the unit ideal for both modern commercial and industrial interiors, featuring solid or suspended ceilings. A high intensity, red LED indicator situated on the detector moulding provides clear indication when the unit is in alarm.

For ease of removal, Z610-1 detectors plug into a range of base units by a simple twist and lock action. In order to prevent unauthorised removal, a site selectable option is provided to lock the detector into its base. Once applied the unit can only be removed by means of a special tool.

All Z610-1 detectors can be monitored for detector removal by any conventional ZC control panel. When a detector (or detectors) is removed from its base, the panel gives a fault signal.

To ensure operational reliability all Z610-1 detectors have mouldings constructed of ABS plastic, feature surface mount technology with all components conformally coated, to seal against dust and moisture.

The Z610-1 optical smoke detector is part of the Ziton Z600 range of conventional trigger devices.



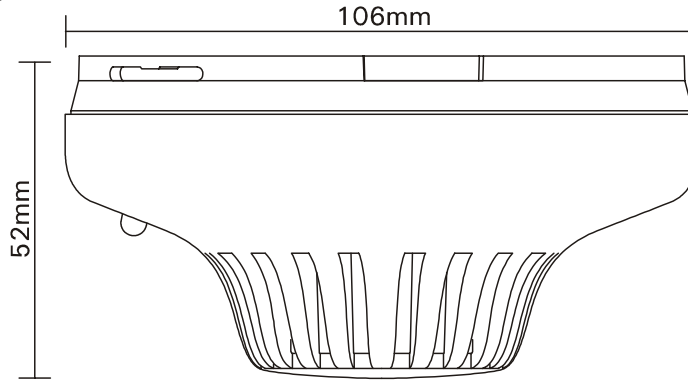
# Z610-1

---

## Conventional Ionization Smoke Detector

- **Complies with EN 54 Part 7 (BS1 base)**
- **Low profile conventional design**
- **Head out continuity - all connected devices remain operational even with heads removed (BS5 base)**
- **Range of surface and recessed bases**
- **Plug in base with automatic locking**

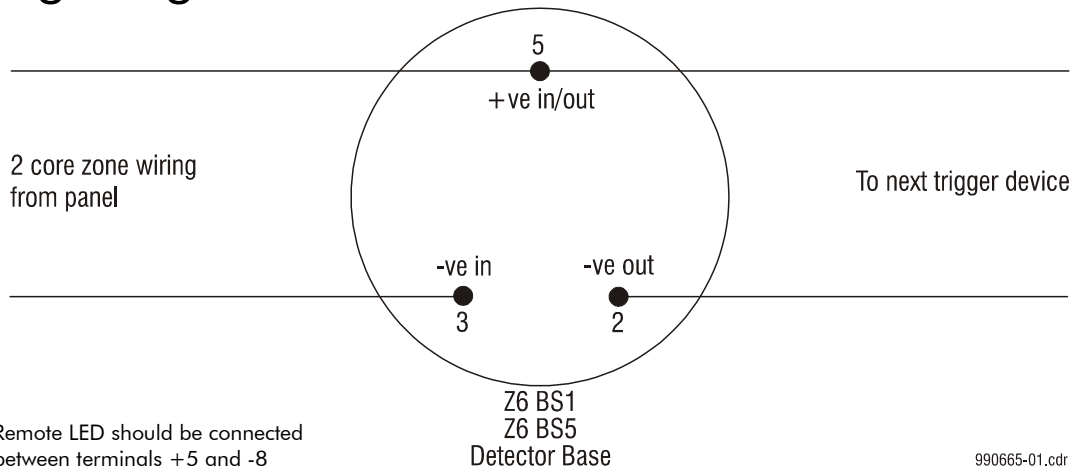
## Dimensions



991520-01.cdr

Note: Dimensions shown without base.

## Wiring Diagram



Note: Remote LED should be connected between terminals +5 and -8

990665-01.cdr

## Specification



Model No.	Z610-1
Specification	EN54 Pt7
Description	Ionization smoke detector
Sensitivity	0.9Y (normal level)
Compatibility	All ZC conventional systems
Mounting	Plugs into surface or semi recessed base
Area Coverage	100m <sup>2</sup> , subject to local codes
Wiring	2 wire zonal
Monitoring:	
Z6-BS1/BR1	Open and short circuit by end of line resistor
Z6-BS5/BR5	Open and short circuit and head out by active end of line unit (ZC-AEOL)
Indication	Alarm LED (red)
Detection principle	Dual chamber ionization, source <1 μC Am241
Operating voltage	15 – 30 volts DC
Current (quiescent)	<50μA
Current (alarm)	Max. 50mA (limited by panel)

Environmental:	
Application	Indoor use
EN60529 rating	IP32
Temp range	-20°C to +70°C
Humidity range	20% to 95% RH (non condensing)
EMC	CE marked (EEC89/336)
Construction:	
Material	Moulded ABS
Dimensions	106mm (dia) x 52mm (h) (excluding base)
Height	BS1/BS5 surface base – 60mm BR1/BR5 recessed base – 38mm (from ceiling with base)
Colour	White
Weight	105g (without base)