


## ACCESSORIES FOR EF300 SERIES

### ADJUSTABLE L BRACKET FOR EF300 RANGE

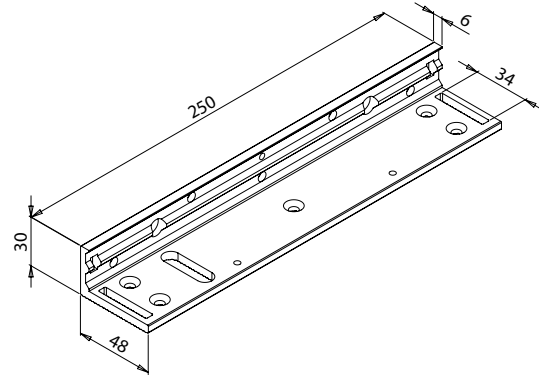
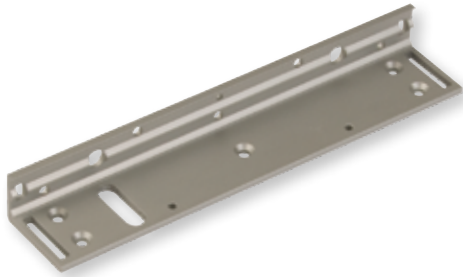
**EBA**

**EF300L**

Adjustable L bracket for EF300 range

 0,3 kg

Alloy 6061/T6




### ADJUSTABLE L BRACKET FOR EF300-2 RANGE

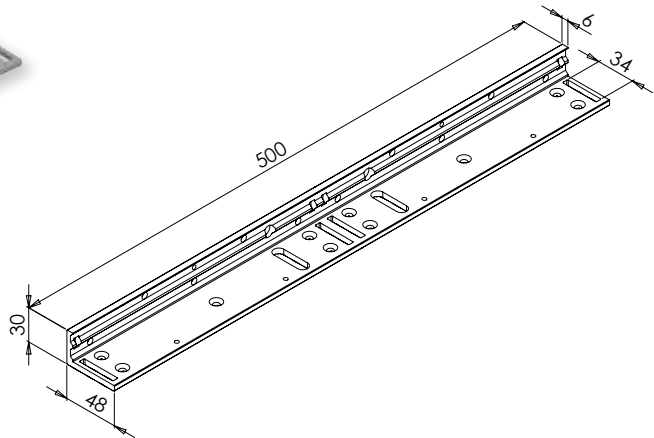
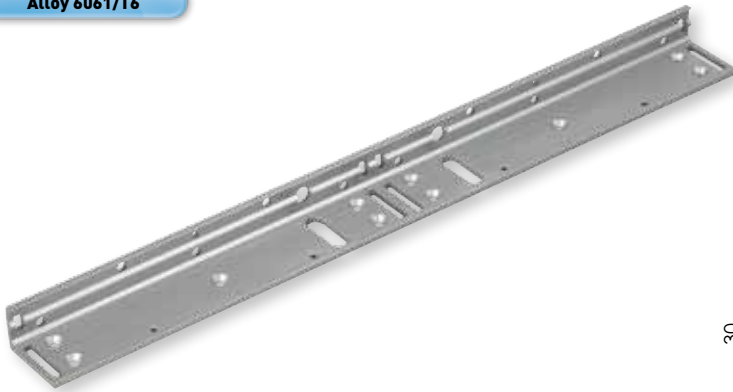
**EBA**

**EF300L-2**

Adjustable L bracket for EF300-2 range

 0,5 kg

Alloy 6061/T6




### ADJUSTABLE Z BRACKET FOR EF300 / EF550 RANGE

**EBA**

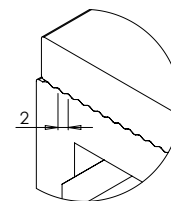
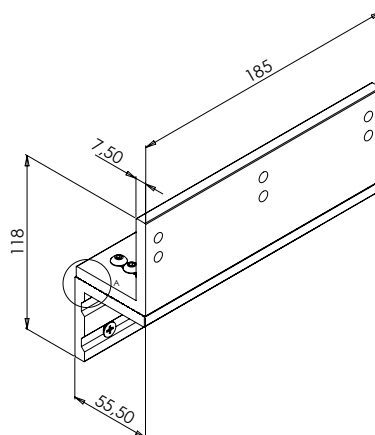


**EF300/550Z**

Adjustable Z bracket for EF300 / EF550 range

 0,9 kg

Alloy 6061/T6



**Caution :**  
TWO mounting accessories  
required for DOUBLE  
ELECTROMAGNETIC LOCKS