



PS2013.1

The A51E is an addressable relay providing double pole, volt free, change over contacts, rated to switch local mains supplies. The unit is intended for installation within the equipment to be switched, thereby offering savings in installation costs when compared to long, auxiliary circuit, wiring runs out from the control panel.

Compiling with Pr EN54 Part 18, the relay can be located anywhere on the two core ZP loop and is designed for power up or shut down of the mains electrical supply to ancillary equipment

The unit is ideal for the control of associated system equipment such as mains fed magnetic door release circuits, extract fans and dampers.

The relay can be programmed to be activated by any single device, groups of devices or all system devices. All types of system input signals can be arranged to operate the A51E, which can include control panel indicators, zonal outputs, callpoints or sensors.

Terminals 1-2 and 5-6 provide normally closed relay connections (opening on alarm), terminals 2-3 and 4-5 provide normally open relay connections (closing on alarm).

Housed in a low profile moulding, the relay is designed to clip directly onto a standard DIN 35 mounting rail or equipment panel chassis – care should be taken to prohibit casual entry into the enclosure.

A red LED indicator positioned on the front moulding flashes when the interface contacts have operated.

For system test and commissioning the relay contacts can be operated manually, enabling control circuits to be tested.

Installed as part of an analogue addressable system, up to 127 line devices (sensors, callpoints or interface units) can be connected to each of the control panel loops. All loop devices incorporate switch settings enabling them to be assigned a unique address, which is polled by the panel every two seconds.

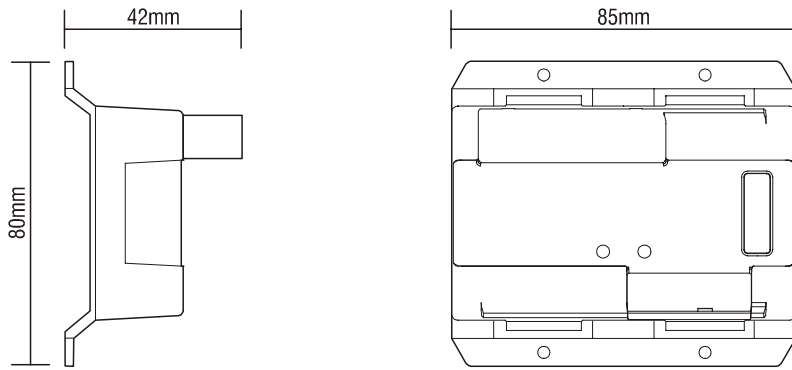


A51E-1

Addressable Mains Relay Module

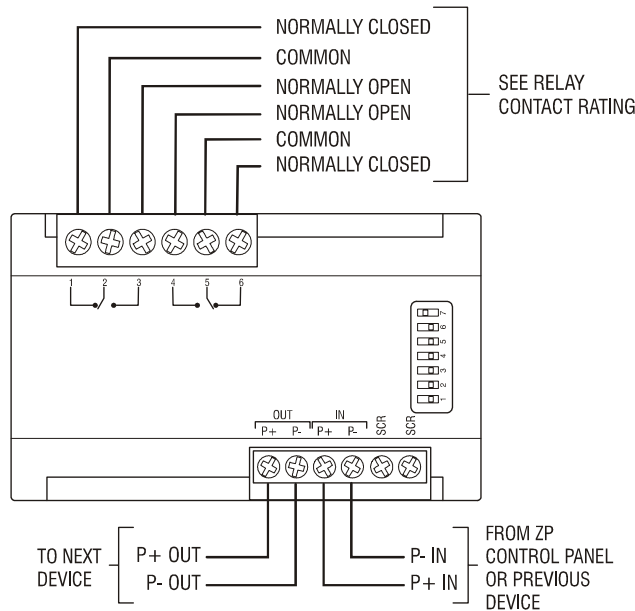
- **Addressable mains rated unit**
- **Complies with Pr EN54 Part 18**
- **Miniature size**
- **DIN 35 mounting rail fixing**
- **Loop wired – adjacent or internal to equipment to be switched**
- **Operated from any combination of input addresses**
- **Double pole, volt free change over contacts**

Dimensions



993529-01.cdr

Wiring Diagram



993479-01.cdr

Specification



A51E	Addressable mains relay module
Mounting	DIN 35 mounting rail
Specification	EN54 Part 18
Compatibility	All ZP analogue addressable systems
Addressing method	7 way Dip switch
Wiring	2 core loop
Operating voltage	19.5 – 20.5Vdc
Current (quiescent)	600 µA
Current (alarm)	700 µA
Relay contacts	Double pole, change over
Contact ratings	DC - max voltage 60Vdc Current 1A AC - max voltage 250Vac Current 5A

Indication	LED (red) flashing on operation.
Application	Indoor use
EN60529 rating	IP20
Operating temp range	-10°C to +55°C
Humidity range (at 40°C)	10% to 95% RH (non condensing)
EMC	CE marked (EEC89/336)
Material	Moulded ABS
Dimensions	85mm (W) x 80mm (H) x 42mm (D)
Colour	White
Weight	88g

Ziton
 8 Newmarket Court Chippenham Drive Kingston Milton Keynes MK 10 0AQ United Kingdom
 Telephone +44 (0) 1908 281981 Fax +44 (0) 1908 282554 email zitonuk@ziton.spx.com

Ziton
 Ziton House 555 Voortrekker Road Maitland 7405 PO Box 181 Maitland 7404 South Africa
 Telephone +27 (0)21 506 6000 Fax +27 (0)21 506 6100 email zitonsa@ziton.spx.com

Copyright © Ziton
 Ziton reserves the right to change specifications without notice in order to improve products or manufacturing methods. Although every effort is made to avoid errors, we reserve the right to correct typographical, photographic, clerical or printing errors.

Ziton a division of GE Security