



## INSTRUCTION MANUAL

# SPLASHPROOF CEILING SPEAKER

# PC-3WR PC-3WR-L


Please follow the instructions in this manual to obtain the optimum results from this unit.  
We also recommend that you keep this manual handy for future reference.


### ■ SAFETY PRECAUTIONS

- Be sure to read the instructions in this section carefully before use.
- Make sure to observe the instructions in this manual as the conventions of safety symbols and messages regarded as very important precautions are included.
- We also recommend you keep this instruction manual handy for future reference.

#### Safety Symbol and Message Conventions

Safety symbols and messages described below are used in this manual to prevent bodily injury and property damage which could result from mishandling. Before operating your product, read this manual first so you are thoroughly aware of the potential safety hazards as well as understand the safety symbols and messages.

 **WARNING** Indicates a potentially hazardous situation which, if mishandled, could result in death or serious personal injury.

 **CAUTION** Indicates a potentially hazardous situation which, if mishandled, could result in moderate or minor personal injury, and/or property damage.

### WARNING

#### When Installing the Unit

- Install the unit only in a location that can structurally support the weight of the unit and the mounting bracket. Doing otherwise may result in the speaker falling down and causing personal injury and/or property damage.
- Be sure to tighten screws when mounting the speaker. If not tightened, the screws may come off due to a vibration, etc. and the speaker may fall, resulting in personal injuries.

### CAUTION

#### When the Unit is in Use

- Do not operate the speaker for an extended period of time with the sound distorting. This is an indication of a malfunction, which in turn can cause heat to generate and result in a fire.

### ■ GENERAL DESCRIPTION

The PC-3WR and PC-3WR-L are both splashproof, flush-mounted ceiling speakers. The PC-3WR is a high impedance 100 V line speaker, and the PC-3WR-L is a low impedance (8 Ω) speaker.

### ■ HANDLING PRECAUTIONS

The PC-3WR-L cannot use the 100 V line.

## ■ INSTALLATION

1. Make a 150 mm hole in a ceiling.

**Tip:**

Using the marking-off pins on the speaker mounting bracket, you can describe a circle with designated diameter.

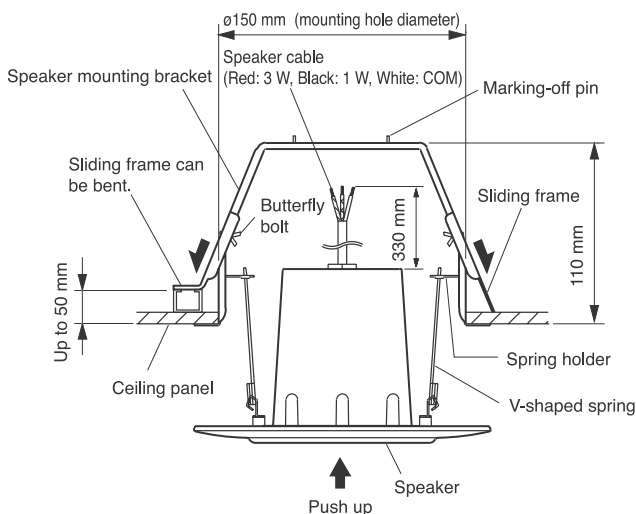
2. Insert the speaker mounting bracket into the mounting hole.

3. Loosen butterfly bolts on the speaker mounting bracket, and move the sliding frames in the direction indicated by the arrow.

4. Hold the ceiling panel between the speaker mounting bracket and sliding frame, then tighten the butterfly bolts.

**Tip:**

When the ceiling panel is thick, bend the sliding frame. The ceiling panel with thickness of up to 50 mm can be used.



**Note:** The figure is the PC-3WR.

5. Squeezing the sides of either V-shaped spring, connect it to the spring holder of the speaker mounting bracket.

6. Connect the input cable to the speaker cable.

PC-3WR	COM	HOT
3 W connection	White	Red
1 W connection	White	Black

PC-3WR-L	COM	HOT
3 W (8 Ω)	White	Black

7. Squeezing the sides of other V-shaped spring, connect it to the bracket's spring holder, then push the speaker up into the ceiling hole.

## ■ SPECIFICATIONS

Model No.	PC-3WR	PC-3WR-L
Rated Input	1W or 3 W	3 W
Rated Impedance	3.3 kΩ (3 W) or 10 kΩ (1 W)	8 Ω
Output Sound Pressure Level	88 dB (1 W, 1 m)	
Frequency Response	180 – 20,000 Hz	
Operating Temperature Range	-10°C to +50°C	
Finish	Panel/Case : ABS resin, off white Punched grille : Stainless steel	
Mounting Hole Diameter	150 mm	
Dimensions	ø180 x 104.5 (d) mm	
Weight	700 g	600 g

**Note :** The design and specifications are subject to change without notice for improvement.

### Traceability Information for Europe (EMC directive 2004/108/EC)

Manufacturer:  
 TOA Corporation  
 7-2-1, Minatojima Nakamachi, Chuo-ku, Kobe, Hyogo,  
 Japan

Authorized representative:  
 TOA Electronics Europe GmbH  
 Suederstrasse 282, 20537 Hamburg,  
 Germany