

Base Sounder

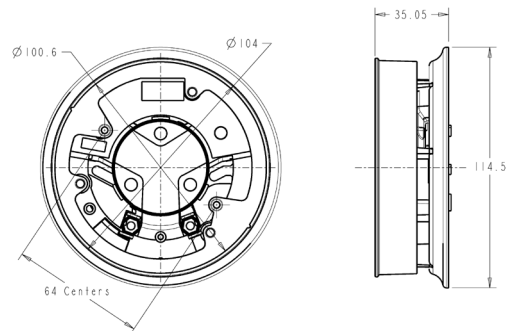
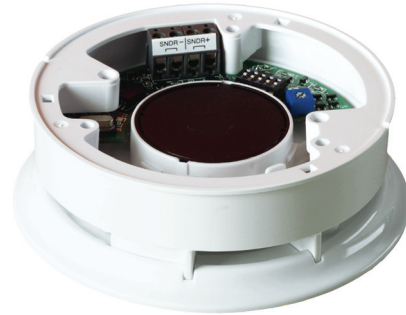
Low profile sounder is certified to EN54.

Its primary application is to be installed under proprietary smoke and heat detectors to provide both detection and alarm at the same point, reducing wiring and installation costs. With the optional cover it can also be used as a stand alone sounder.

A choice of colours is available, including white and cream, to coordinate with various detectors.

Features

- Two large cable entries for quick and simple installation
- Designed to complement a variety of detectors
- 32 distinct alarm tones
- Choice of colours
- Cover plates available for use as sounder only
- Volume control for maximum flexibility - 20dB



Specifications

Part No.	Description	Colours	Audibility at 1m	Tones	Voltage	Current (tone dependent)
PBS-0003	Base Sounder	White	Up to 95dB (A)	32	17-60V DC	2 - 7mA
PBS-0009	Base Sounder	Cream	Up to 95dB (A)	32	17-60V DC	2 - 7mA
PBS-0011	Base Sounder	White Cover	-	-	-	-
PBS-0014	Base Sounder	Cream Cover	-	-	-	-

IP Rating: Indoor **Operating Temp:** -10°C to +55°C **Construction:** High Impact Polycarbonate **Cable Entries:** N/A **Weight:** 0.1kg
Compliance: EN54-3 Type A