



Ex solenoid interlocks Ex AZM 415

Features/Options

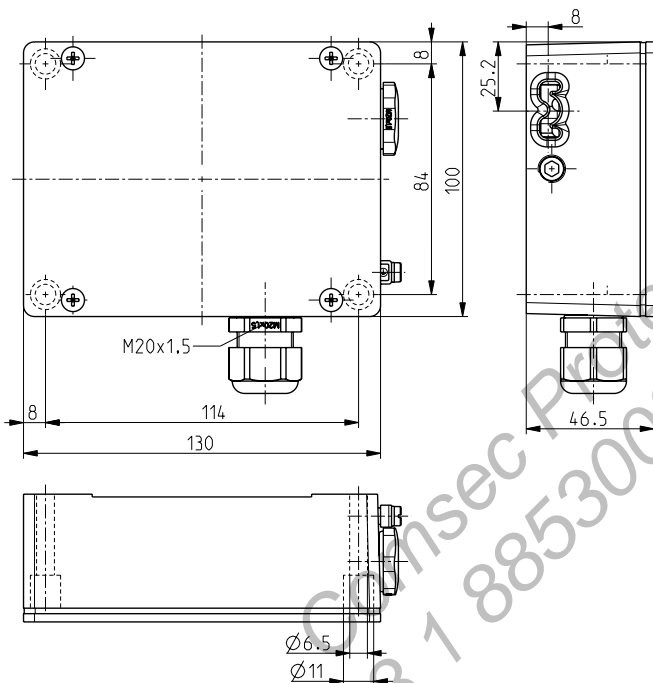
- Ex zone 1 and 21
- Special version up to +90 °C ambient temperature for dust Ex zone 21 available (HU)
- Two Ex switch inserts in one enclosure
- Spring-to-lock or power-to-lock principle
- Problem-free opening of stressed doors by means of bell-crank system

- High holding force 3500 N
- Ball catch
- Wiring compartment
- Special version only for dust Ex zone 22 available
- N.B.: Please state required approvals for Russia, Brazil and North America with your order!

Note

- The actuator is not included in the delivery of the switches

Dimensions



Technical data

Standards

EN 60947-5-1; EN 1088;
EN 60079-0, EN 60079-1,
EN 60079-7, EN 60079-18,
EN 60079-31; EN ISO 13849-1
aluminium die-cast, enamel finish
steel, enamel finish
metal zinc/aluminium
Ex 95
IP 67 to IEC/EN 60529;
Ex AZM 415-TE, TEI, -FE: IP 64 to
IEC/EN 60529

Enclosure

Cover

Actuator/locking bolt

Switch insert

Degree of protection

Contact material

Switching system

silver
slow action, positive break NC
contacts \ominus

Switching elements

Connection

Cable cross-section

2 NC/2 NO contacts
screw connection terminals
max. 2.5 mm²
(incl. conductor ferrules)

Cable entry

B_{10d} (10 % Load)

T_M

U_{imp}

U_i

I_{the}

I_e/U_e

Utilisation category

Max. fuse rating

I_e/U_e magnet

Power consumption

Ambient temperature

2 x M20 x 1.5 for
cable diameter 5 ... 9 mm
2 million

max. 20 years

4 kV

250 V

6 A

6 A/250 VAC; 0.25 A/230 VDC

AC-15; DC-13

6 A gG/gN fuse

0.08 A / 24 VDC ± 10 %

max. 12 W (0.25 s)

T6: -20 °C ... +40 °C;

T5: -20 °C ... +55 °C

Type HU: -20 °C ... +90 °C

Mechanical life

Holding force F

Holding force of integrated

ball catch

Ex marking

> 1 million operations

max. 3500 N

50 - 200 N, adjustable

Ex II 2G Ex demb IIC T6/T5 Gb,

Ex II 2D Ex tb IIIC

T80 °C/T95 °C Db IP67/64

IECEx Ex demb IIC T6/T5 Gb,

Ex tb IIIC T80 °C/T95 °C Db

IP67/64



Ex solenoid interlocks
Ex AZM 415

Type HU:

⊕ II 2D Ex tD A21 IP67 T130 °C,
IECEX Ex tb IIIC T130 °C Db IP67

Type FE-HU:

⊕ II 2D Ex tD A21 IP64 T130 °C,
IECEX Ex tb IIIC T130 °C Db IP64

Approvals

DMT 02 ATEX E 255 X
IECEX BVS 07.0018X



Type HU:

BVS 08 ATEX E 155 X
IECEX BVS 12.0013X

Errors and omissions excepted.

Comsec Protection Systems. Email info@comsec.ie
Tel +353 1 8853008.

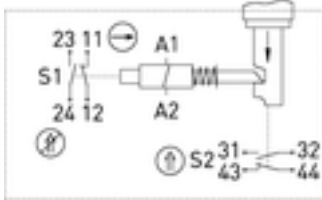


Ex solenoid interlocks

Ex AZM 415

Ordering details

Spring-to-lock principle 2 NC/2 NO contacts



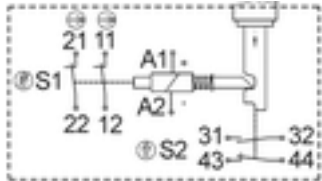
Type

Ex AZM 415 2Ö/2S R
 Ex AZM 415 2Ö/2S R-HU +90 °C -2D
 Ex AZM 415 2Ö/2S R-FE
 Ex AZM 415 2Ö/2S R-FE-HU +90 °C -2D
 Ex AZM 415 2Ö/2S R-TE
 Ex AZM 415 2Ö/2S R-TEI
 Ex AZM 415 2Ö/2S R-FE/TE
 Ex AZM 415 2Ö/2S R-FE/TEI

Material no.

1169104
 1188501
 1181881
 1188502
 1182000
 1181882
 1181999
 1181998

Spring-to-lock principle 3 NC/1 NO contact



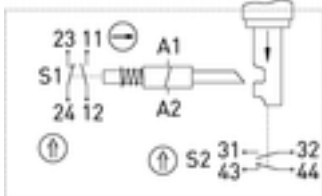
Type

Ex AZM 415 3Ö/1S R-FE
 Ex AZM 415 3Ö/1S R-FE/TEI

Material no.

1183280
 1184885

Power-to-lock principle 2 NC/2 NO contacts



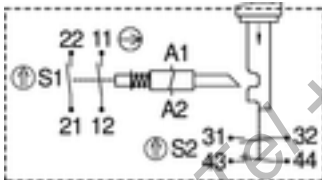
Type

Ex AZM 415 2Ö/2S A
 Ex AZM 415 2Ö/2S A-HU +90 °C -2D

Material no.

1169106
 1188480

Power-to-lock principle 3 NC/1 NO contact



Type

Ex AZM 415 3Ö/1S A

Material no.

1180752



Ex solenoid interlocks

Ex AZM 415

Actuators

Straight actuators



Type
Straight actuator AZM 415-B1

Material no.
1171889

Flexible actuators



Type
Flexible actuator AZM 415-B2
Flexible actuator AZM 415-B3

Material no.
1171890
1171892

Actuators with grip



Type
Actuator AZM 415-B4pS with grip

Material no.
1172016

Actuators B30



Type
Actuator AZM 415-B30-01
Actuator AZM 415-B30-02
Actuator AZM 415-B30-03
Actuator AZM 415-B30-04
Actuator AZM 415-B30-05
Actuator AZM 415-B30-06
Actuator AZM 415-B30-07
Actuator AZM 415-B30-08

Material no.
1184310
1182251
1172017
1172018
1186090
1186306
1172019
1172020



Ex solenoid interlocks
Ex AZM 415

Accessories

Triangular key



Type
M5 triangular key

Material no.
1182300

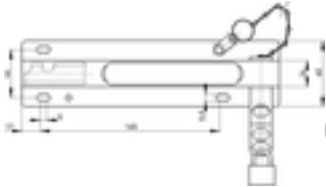
Lockout tag SZ 415-1/-2



Type
Lockout tag SZ 415-1
Lockout tag SZ 415-2

Material no.
1187200
1187201

Lockout tag SZ 415-B4pS



Type
Lockout tag SZ 415-B4pS

Material no.
1181419

Assembly plate MP AZM 415-22



Type
Mounting plate MP AZM 415-22

Material no.
1180143



Ex solenoid interlocks
Ex AZM 415

Accessories

Assembly plate MP AZM 415-B30



Type
Mounting plate MP AZM 415-B30

Material no.
1180145

Assembly plate MP AZM 415-B4pS



Type
Mounting plate MP AZM 415-B4pS

Material no.
1181420

Comsec Protection Systems.
Tel +353 1 8853008. Email info@comsec.ie

Accessories for solenoid interlocks**Flexible actuator AZM 415-B2****Material number: 1171890 (Material number (old): 01.08.0176)****Features/Options**

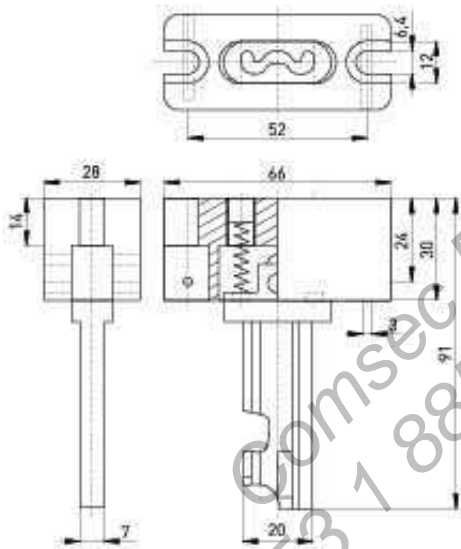
- Especially suitable for sliding and hinged guards
- Actuating radius on hinged guards $b = 250$ mm
- Axial misalignment $x = 36$ mm

Notes

- The actuator is not included in the delivery of the switches
- Removal of the actuator can be prevented by fitting dowel pins in the holes provided.
- The distance between the flange of the actuator and the switch enclosure must be less than 3 mm when the actuator is inserted.
- Adjustment by turning hexagonal screw

Dimensions

Errors and omissions excepted.

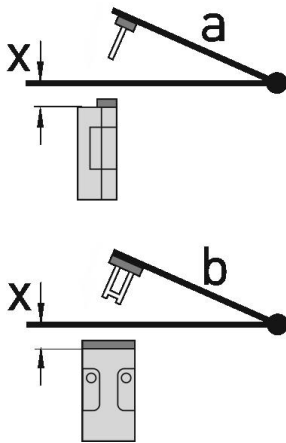


Accessories for solenoid interlocks

Flexible actuator AZM 415-B2

Material number: 1171890 (Material number (old): 01.08.0176)

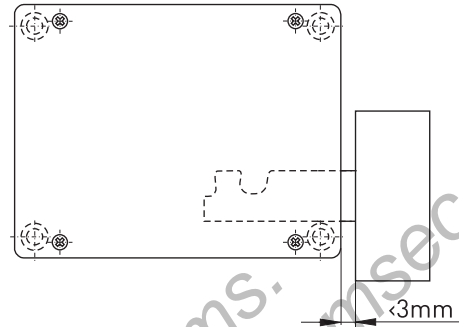
Actuating radii



- The axis of the hinge should be x mm above the top edge of the safety switch and in the same plane.
- a Actuating radius to the plane of the actuator
- b Actuating radius in line with the plane of the actuator
- x Axial misalignment

Attention! x must be referred to the surface of the enclosure and not to the inserted actuator!

Distance between actuator/enclosure



Adjustment

