

ACCESSORIES FOR 500 SERIES

ALUMINIUM COVER FOR EF550L & EF300/550Z

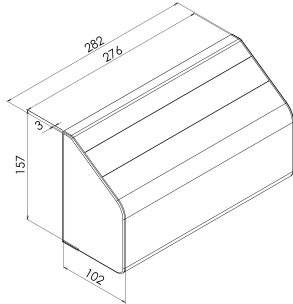
EBA

EF550C

Aluminium cover for EF550L + EF300/550Z - with plastic end caps
natural anodizing

 0,9 kg


Alloy 6063/T5



OPTIONAL :

EF550C/AEC

Aluminium end caps for EF550C
natural anodizing

 0,3 kg

POWDER COATING

ON REQUEST*



(* All RAL colours available)


MOUNTING SET FOR ARMATURE PLATE

EBA



EF550SCP

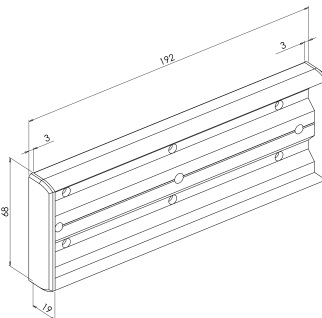
Mounting set for armature plate EF550 range

 0,3 kg

Alloy 6061/T6



Not compatible
with Z mounting
brackets



Caution :
TWO mounting accessories
required for DOUBLE
ELECTROMAGNETIC LOCKS


U-MOUNTING SLEEVES FOR GLASS DOORS

EBA




EF300_550UZAP

U-Mounting sleeve for glass doors in combination with EF300_550Z

 0,52 kg

EF300_550UL

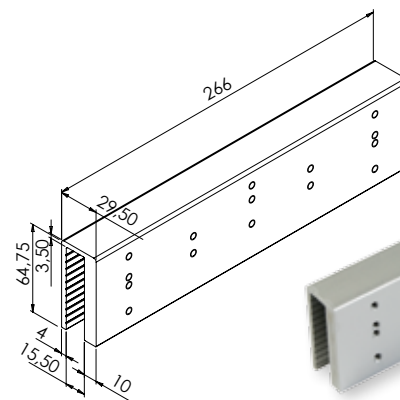
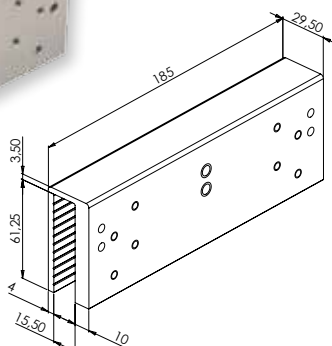
U-Mounting sleeve for glass doors in combination with EF300_550L

 0,74 kg

Alloy 6061/T6



EF300_550UZAP



EF300_550UL

