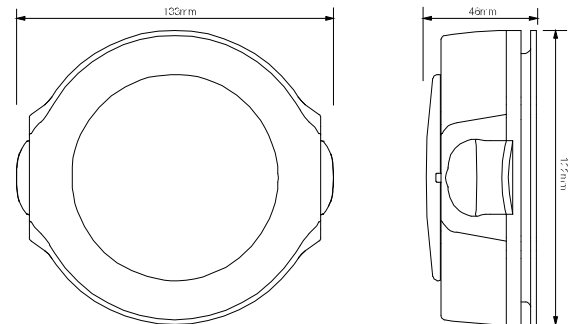


The Squashni G4 LX Ceiling device refracts light around a smoke or heat detector to provide the required illumination demanded by EN 54-23. It has a high coverage of 15m, making it most suited for large public space applications but still ensuring current consumption is kept low by maximising light dispersal through the unique optical technology. It can be fitted with any standard detector.



Technical Specification

| | |
|-----------------------|--|
| Mounting Type | Ceiling |
| Voltage | 16 - 28 Vdc (Fire Use) 9 - 15 Vdc (Fire Use) |
| Current | See website for more information |
| Coverage (y) | 15m (Switchable to 5m) |
| Mounting Height (x) | 3m (max) |
| Coverage Volume Code | C-3-15 |
| Coverage Volume | 530m ³ (58m ³) |
| Flash Rate | 1Hz (Switchable to 0.5Hz) |
| Operating Temperature | -10°C to +55°C |
| Monitoring | Reverse Polarity |
| Protection | IP21C |
| Weight | 200g |
| Body Colour | White or Red |
| Flash Colour | White or Red |
| Sound Output | 97dB(A) (Typical tone 3) |



Features

- Patented light dispersal technology
- Ultra low current consumption
- Up to 15m coverage volume (switchable to 5m)
- 0.5 or 1Hz flash rate

Benefits

- Refracts light around a detector
- Use where current consumption is a key consideration
- Space in line with smoke or heat detectors
- Switch flash rate to 0.5Hz to reduce current consumption

Reference

See website for more information

Catalogue No.

Description

COMSEC PROTECTION SYSTEMS LTD.
 UNIT 26, STADIUM BUSINESS PARK, • BALLYCOOLIN ROAD, • DUBLIN 11, • IRELAND
 PHONE: +353 (0)1 8853008 • FAX: +353 (0)1 8853007
 EMAIL: info@comsec.ie • WEB: <http://www.comsec.ie>