



PS1245.4

Designed to provide the earliest response to a wide range of fire types the ZP732-2 sensor combines optical smoke sensing and thermal monitoring to provide an accurate warning of fire. Individual software monitoring of each element measures actual smoke levels, in addition to temperature rates of rise. Smoke sensing can be isolated for areas where ambient smoke may exist at certain times of the day, or used on a day night basis in premises where heat only is required whilst the building is occupied.

Temperature response meets the requirements of European Standard EN 54 Part 5. (Class A1 and A2), with smoke sensitivity complying with EN 54 Part 7 and test procedure CEA4021. Several international approval bodies approve the sensor.

The smoke element is regularly recalibrated by the panel for contamination and constant sensitivity, self test and selectable alarm verification are all provided automatically by the ZP control panel software.

Up to 127 sensing devices can be connected to each of the control panel loops. All loop devices incorporate switch settings enabling them to be assigned a unique address, which is polled by the panel every two seconds.

Whilst effective in operation the ZP732-2 is unobtrusive when installed. The low profile moulding makes the unit ideal for both commercial and industrial interiors. A red LED indicator situated on the sensor moulding flashes to indicate when the unit is in alarm.

For ease of removal sensors plug into a range of base units by a simple twist and lock action. A site selectable option is provided to lock the sensor into its base. Once applied the unit can only be removed by means of a special tool.

Space for address labels is provided on sensor and base mouldings - ensuring units are replaced in their correct location and address numbers can be identified from floor level.

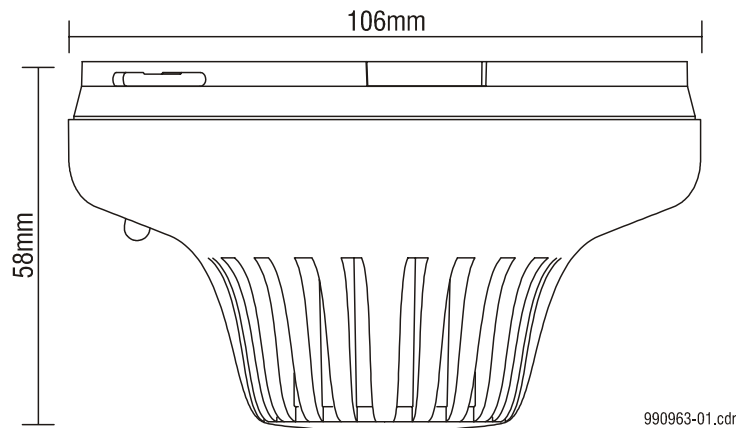


ZP732-2

Combination Smoke and Thermal Sensor

- **Senses both smoke and heat**
- **Heat only facility**
- **Smoke element complies with EN54 Part 7 and CEA4021**
- **Heat element complies with EN54 Part 5 Class A1 and A2**
- **Analogue sensing - reduces false and unwanted alarms**
- **Addressable - system knows the status and location of every sensor**
- **Alarm verification, self test, auto contamination adjustment**

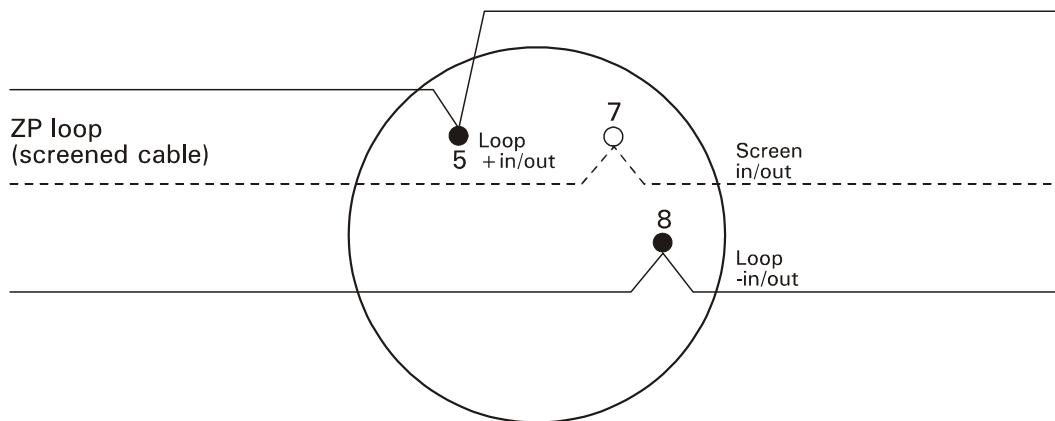
Dimensions



990963-01.cdr

Note: Dimensions shown without base.

Wiring Diagram



Note: Remote LED is connected between terminals +2 and -3

ZP7-SB1 Sensor base

991905-01.cdr

Specification



Model No.	ZP732-2	Current (quiescent)	600µA
Specification	EN54 Pt5 (Class A1 and A2), EN54 Pt7 and CEA4021	Current (alarm)	700µA
Description	Combination smoke and thermal sensor	Environmental:	
Compatibility	All ZP analogue systems	Application	Indoor use
Mounting	Plugs into surface base	EN60529 rating	IP32
Wiring	2 core loop or spur	Temp range	-10°C to +50°C
Area coverage	Smoke element: 100m ² , subject to local codes Thermal element: 50m ² , subject to local codes	Humidity range	20% to 95% RH (non condensing)
Monitoring:	Open and short circuit fault sensor removal and device type	EMC	CE compliant
Detection principle	Smoke: photo electric light scatter Thermal: thermistor	Construction:	
Addressing method	7 way DIP switches in head	Material	Moulded ABS
Indication	Alarm LED (red)	Dimensions	106mm (dia) x 58mm (h) (excluding base)
Operating voltage	19.5 to 20.5 volts pulsed address line max line voltage loss 4 volts	Height	From ceiling with base: ZP7-SB1 surface base – 67mm
		Colour	White
		Weight	105g (excluding base)

Ziton
 8 Newmarket Court Chippenham Drive Kingston Milton Keynes MK 10 0AQ United Kingdom
 Telephone +44 (0) 1908 281981 Fax +44 (0) 1908 282554 email zitonuk@ziton.spx.com

Ziton (Pty) Ltd
 Ziton House 555 Voortrekker Road Maitland 7405 PO Box 181 Maitland 7404 South Africa
 Telephone +27 (0)21 506 6000 Fax +27 (0)21 506 6100 email zitonza@ziton.spx.com

Copyright © Ziton
 Ziton reserves the right to change specifications without notice in order to improve products or manufacturing methods. Although every effort is made to avoid errors, we reserve the right to correct typographical, photographic, clerical or printing errors.