

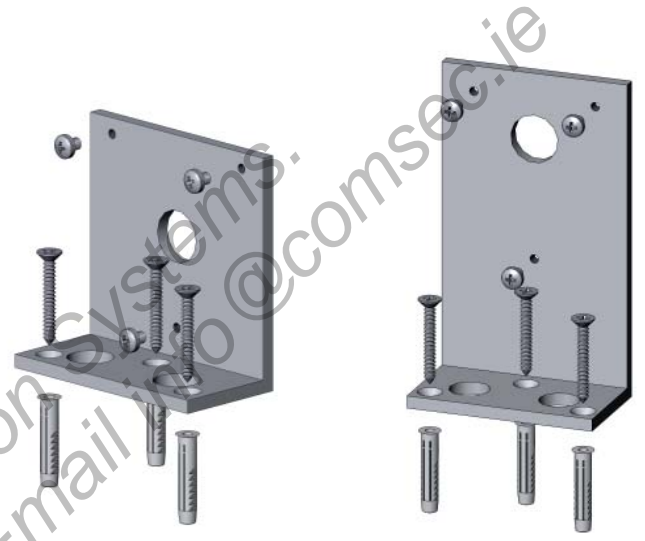
ACCESSORIES









FOR ELECTROMAGNETIC DOOR HOLDER BC & BR SERIES

EBCS & EBRS

MOUNTING INSTRUCTIONS

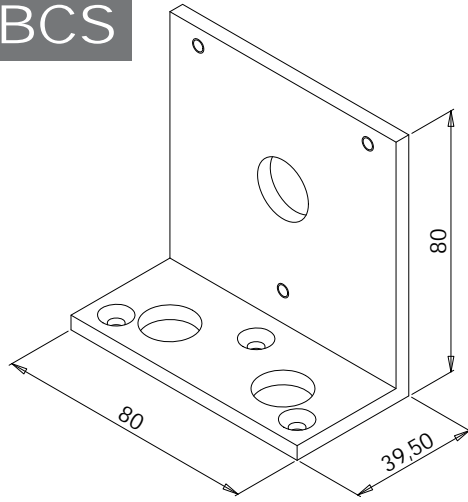
Brackets (bases) for floor mounting



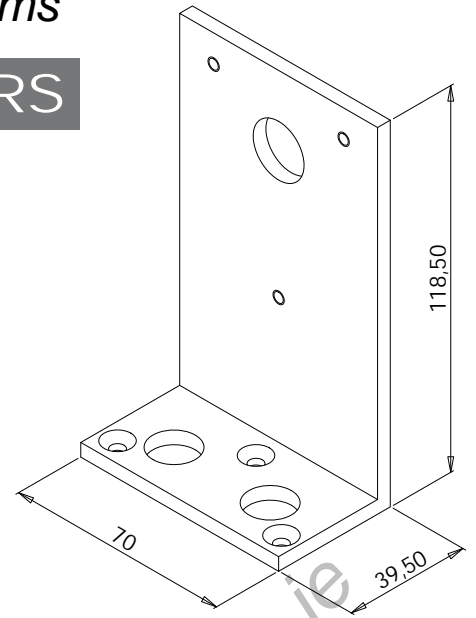
Kit composed of:	DIN 7982 - ST 4,2 x 32	PLUG Ø 6 x 30	ISO 7045 - M 4 x 5
 <p>1 x EBCS <i>For Square Casing (BC)</i></p>	 3 x	 3 x	 3 x
 <p>1 x EBRS <i>For Rectangular Casing (BR)</i></p>	 3 x	 3 x	 3 x

Comsec Protection Systems

EBCS



EBRS

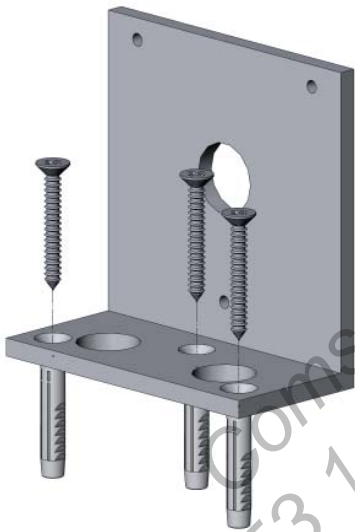


Dimensions

MOUNTING

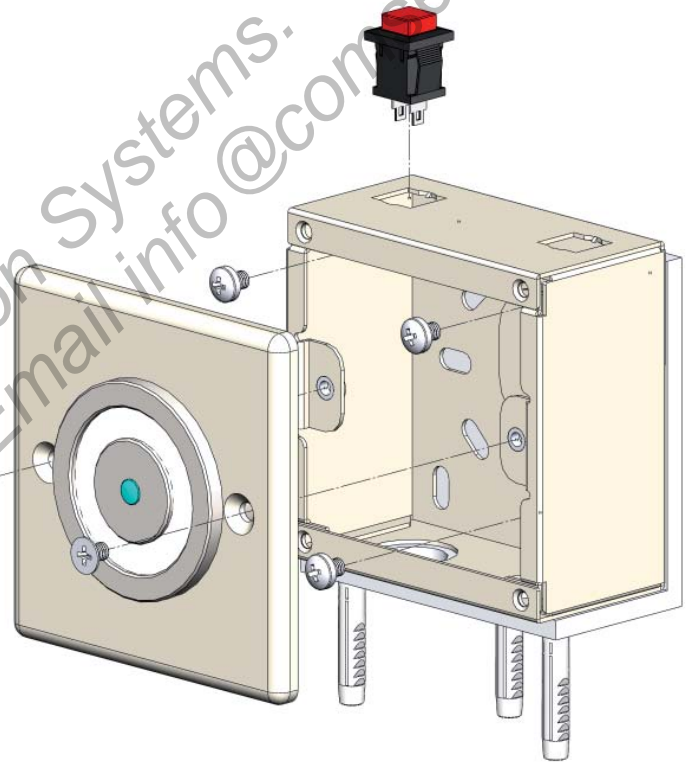
Step

n°1

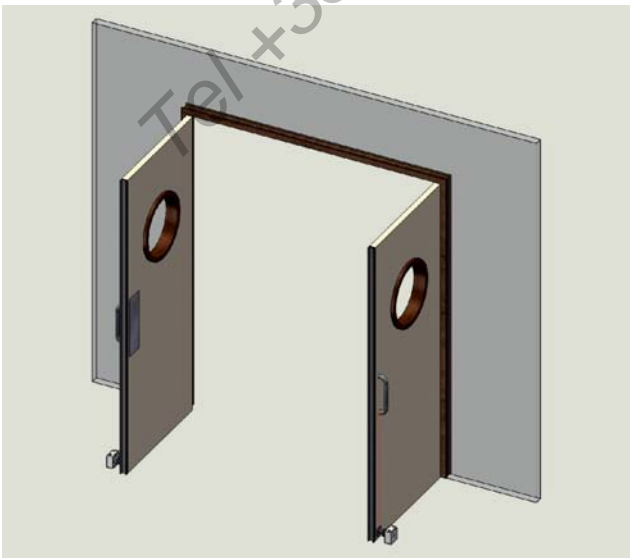


Step

n°2



MOUNTING EXAMPLE



Square Casing